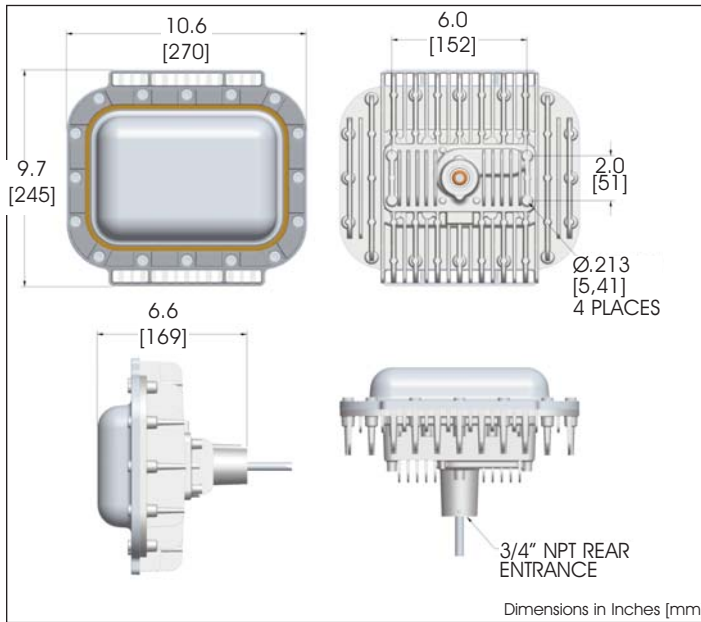




Patent Pending

## SafeSite® LED Area Light Class I Div. 2



### Certifications

- Class I, Div 2, Groups A, B, C, D
- Class II, Div 1
- Class II, Div 2
- Class III, Div 1
- Class III, Div 2
- UL 844
- UL 1598/A
- CSA 22.2 No. 137-M1981
- ABS Design Assessed: # 12-HS942957-PDA
- IP 66
- NEMA 4X

Temperature Ratings	
Ambient Temperature Range T4a Temperature Code	Ambient Temperature Range T5 Temperature Code
-40°F to +149°F (-40°C to +65°C)	-40°F to +113°F (-40°C to +45°C)

### Application:

The SafeSite® LED area light represents the future of energy efficient \ facility illumination for hazardous locations worldwide. The Class I, Div 2 LED area lighting fixture consumes at least 50% less energy compared to traditional HID light sources, while reducing maintenance and carbon emissions. This light incorporates both cutting edge LED technology along with proprietary optics to achieve area lighting comparable with other traditional light sources.

Whether your application is in a refinery, oil platform, chemical plant or any other Class I, Div 2 application, this fixture offers improved performance across the board.

### Mechanical Information

Fixture Weight:	10 lbs (4.5 kg) - Polycarbonate lens models 12 lbs (5.5 kg) - Glass lens models
Shipping Weight:	12 lbs (5.5 kg) - Polycarbonate lens models 14 lbs (6.3 kg) - Glass lens models
Mounting:	(1) Threaded 3/4" NPT rear (Units with retrofit adaptors also available)
Cabling:	10' (3.5m) SOOW Power Cord

### Electrical specifications

Operating Voltage:	100 - 277V AC, 50/60 Hz 347 - 480V AC, 50/60 Hz
Power Consumption:	See ordering information
Operating Temp:	-40°F to +149°F (-40°C to +65°C)
Harmonics:	IEC 61000-3-2
Noise Requirements/ EMC:	FCC Title 47, Subpart B, Section 15, class A device. RF Immunity; 10V/m, 80MHz-1GHz
Surge Protection	
100 - 277V AC 50/60Hz:	1 kV line to line 2 kV line to ground
347 - 480V AC 50/60Hz:	6 kV line to line 6 kV line to ground
THD	
100 - 277V AC 50/60Hz:	<20%
347 - 480V AC 50/60Hz:	<20%

Power Factor: > 0.9

### Construction

Housing:	Powder coated copper free aluminum
Finish:	Polyester / epoxy powder coat gray RAL 7040 for superior corrosion resistance
Lens:	HZD - Hard coated polycarbonate (or glass) HZF - Polycarbonate with antistatic coating

### Photometric Information

CRI:	70
CCT Standard:	5,000K (cool white) 4,000K (neutral white)
Optics:	180° forward throw 360° circular pattern Wide Throw (Aisle Way) pattern
IES Files:	Available upon request

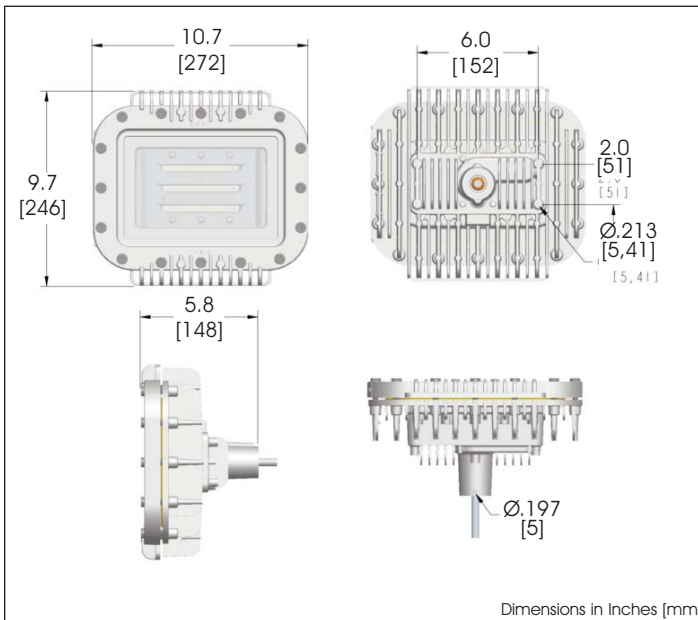
All values typical unless otherwise stated  
All Lumen Values are typical (tolerance +/- 10%)



Patent Pending

## SafeSite® LED Area Light

Class I Div. 1 / Class II Div. 1



Dimensions in Inches [mm]

### Certifications

- Class I, Div 1, Groups B, C, D
- Class II, Div 1, Groups E, F, G
- UL 844
- UL 1598/A
- CSA 22.2 No. 137-M1981
- CSA 22.2 No. 25-1966
- ABS Design Assessed: # 12-HS942957-PDA
- IP 66
- NEMA 4X

Temperature Ratings	
Ambient Temperature Range T4a Temperature Code	Ambient Temperature Range T5 Temperature Code
-40°F to +149°F (-40°C to +65°C)	-40°F to +113°F (-40°C to +45°C)

### Application:

The SafeSite® LED area light represents the future of energy efficient facility illumination for hazardous locations worldwide. The Class I, Div 1 LED area lighting fixture consumes at least 50% less energy compared to traditional HID light sources, while reducing maintenance and carbon emissions. This light incorporates both cutting edge LED technology along with proprietary optics to achieve area lighting comparable with other traditional light sources.

Whether your application is in a refinery, oil platform, chemical plant or any other Class I, Division 1 application, this fixture offers improved performance across the board.

### Mechanical Information

Fixture Weight:	14.5 lbs (6.58 kg)
Shipping Weight:	16.5 lbs (7.48kg)
Mounting:	(1) Threaded 3/4" NPT rear
Cabling:	10' (3.5m) SOOW Power Cord

### Electrical specifications

Operating Voltage:	100 - 277V AC, 50/60 Hz 347 - 480V AC, 50/60 Hz
Power Consumption:	See ordering information
Operating Temp:	-40°F to +149°F (-40°C to +65°C)
Harmonics:	IEC 61000-3-2
Noise Requirements/ EMC:	FCC Title 47, Subpart B, Section 15, class A device. RF Immunity; 10V/m, 80MHz-1GHz
Surge Protection	
100 - 277V AC 50/60Hz:	1 kV line to line 2 kV line to ground
347 - 480V AC 50/60Hz:	6 kV line to line 6 kV line to ground

THD	
100 - 277V AC 50/60Hz:	<20%
347 - 480V AC 50/60Hz:	<20%

Power Factor:	> 0.9
---------------	-------

### Construction

Housing:	Powder coated copper free aluminum
Finish:	Polyester / epoxy powder coat gray RAL 7040 for superior corrosion resistance
Lens:	Glass

### Photometric Information

CRI:	70
CCT Standard:	5,000K (cool white) 4,000K (neutral white)
Optics:	180° forward throw 360° circular pattern
IES Files:	Available upon request

All values typical unless otherwise state  
All Lumen Values are typical (tolerance +/- 10%)

# SafeSite® LED Area Light

## Ordering Information

Part Number	CID1	CID2	CIID1	CIID2	CIID1	CIID2	Voltage	Group B (Hydrogen)	Optical Pattern <sup>1</sup>	Lens	CCT <sup>2</sup>	Lumen <sup>3</sup>	Wattage	LPW
Class I, Div 2 Fixtures - 100 - 277V AC														
HZDFC2G		•					100 - 277V AC		360	Glass	CW	7,250	69	105
HZD9C2G		•					100 - 277V AC		360	Glass	CW	6,000	58	103
HZD5C2G		•					100 - 277V AC		360	Glass	CW	5,200	48	108
HZD3C2G		•					100 - 277V AC		360	Glass	CW	4,100	38	108
HZD1C2G		•					100 - 277V AC		360	Glass	CW	2,200	21	105
HZDFC2N		•					100 - 277V AC		360	Polycarbonate	CW	6,750	69	98
HZD9C2N		•					100 - 277V AC		360	Polycarbonate	CW	6,000	58	103
HZD5C2N		•					100 - 277V AC		360	Polycarbonate	CW	5,000	48	104
HZD3C2N		•					100 - 277V AC		360	Polycarbonate	CW	4,000	38	105
HZD1C2N		•					100 - 277V AC		360	Polycarbonate	CW	2,200	21	105
HZDEC2G		•					100 - 277V AC		180	Glass	CW	6,750	69	98
HZD8C2G		•					100 - 277V AC		180	Glass	CW	5,700	58	98
HZD4C2G		•					100 - 277V AC		180	Glass	CW	4,700	48	98
HZD2C2G		•					100 - 277V AC		180	Glass	CW	3,700	38	97
HZD0C2G		•					100 - 277V AC		180	Glass	CW	2,200	21	105
HZDEC2N		•					100 - 277V AC		180	Polycarbonate	CW	6,500	69	94
HZD8C2N		•					100 - 277V AC		180	Polycarbonate	CW	5,600	58	97
HZD4C2N		•					100 - 277V AC		180	Polycarbonate	CW	4,700	48	98
HZD2C2N		•					100 - 277V AC		180	Polycarbonate	CW	3,700	38	97
HZD0C2N		•					100 - 277V AC		180	Polycarbonate	CW	2,200	21	105
HZDWC2N		•					100 - 277V AC		Wide Throw	Polycarbonate	CW	4,100	60	68

<sup>1</sup>180° optical pattern models are optimized for a 45° mounting angle

Part numbers listed in the above table are cool white. For neutral white model replace the 5th character with **N** Ex: HZF2C2N becomes HZF2N2N

<sup>2</sup>All lumen values are typical (tolerance +/- 10%)

<sup>3</sup>Part numbers listed in the above table are 100-277 VAC. For 347-480 VAC model replace the 6th character with **9** Ex: HZF2C2N

For Dialight's complete list of DLC qualified products, please click this link: [www.dialight.com/Assets/News\\_And\\_Events/DLC\\_Part\\_Number\\_List.xls](http://www.dialight.com/Assets/News_And_Events/DLC_Part_Number_List.xls)



# SafeSite® LED Area Light

## Ordering Information

Part Number	CID1	CID2	CIID1	CIID2	CIID1	CIID2	Voltage	Group B (Hydrogen)	Optical Pattern	Lens	CCT <sup>†</sup>	Lumen <sup>‡</sup>	Wattage	LPW
Class I, Div 2 / Class II, Div 1 / Class II, Div 2 / Class III, Div 1 / Class III, Div 2 Fixtures - 100 - 277V AC														
HZFFC2N		•	•	•	•	•	100 - 277V AC		360	Polycarbonate	CW	6,750	69	98
HZF9C2N		•	•	•	•	•	100 - 277V AC		360	Polycarbonate	CW	6,000	58	103
HZF5C2N		•	•	•	•	•	100 - 277V AC		360	Polycarbonate	CW	5,000	48	104
HZF3C2N		•	•	•	•	•	100 - 277V AC		360	Polycarbonate	CW	4,000	38	105
HZF1C2N		•	•	•	•	•	100 - 277V AC		360	Polycarbonate	CW	2,200	21	105
HZFEC2N		•	•	•	•	•	100 - 277V AC		180	Polycarbonate	CW	6,500	69	97
HZF8C2N		•	•	•	•	•	100 - 277V AC		180	Polycarbonate	CW	5,600	58	97
HZF4C2N		•	•	•	•	•	100 - 277V AC		180	Polycarbonate	CW	4,700	48	98
HZF2C2N		•	•	•	•	•	100 - 277V AC		180	Polycarbonate	CW	3,700	38	97
HZF0C2N		•	•	•	•	•	100 - 277V AC		180	Polycarbonate	CW	2,200	21	105
HZFWC2N		•	•	•	•	•	100 - 277V AC		Wide Throw	Polycarbonate	CW	4,100	60	68
Class I, Div 1 / Class II Div. 1 Fixtures - 100 - 277V AC														
HZFC2N	•		•				100 - 277V AC		360	Glass	CW	7,250	69	105
HZC9C2N	•		•				100 - 277V AC		360	Glass	CW	6,000	58	103
HZC5C2N	•		•				100 - 277V AC		360	Glass	CW	5,000	48	107
HZC3C2N	•		•				100 - 277V AC		360	Glass	CW	4,100	38	108
HZC1C2N	•		•				100 - 277V AC		360	Glass	CW	2,200	21	105
HZP9C2N	•		•				100 - 277V AC	•	360	Glass	CW	6,100	58	105
HZP5C2N	•		•				100 - 277V AC	•	360	Glass	CW	5,200	48	108
HZP3C2N	•		•				100 - 277V AC	•	360	Glass	CW	4,100	38	108
HZP1C2N	•		•				100 - 277V AC	•	360	Glass	CW	2,200	21	105
HZCEC2N	•		•				100 - 277V AC		180	Glass	CW	6,750	69	98
HZC8C2N	•		•				100 - 277V AC		180	Glass	CW	5,700	58	98
HZC4C2N	•		•				100 - 277V AC		180	Glass	CW	4,700	48	98
HZC2C2N	•		•				100 - 277V AC		180	Glass	CW	3,700	38	97
HZC0C2N	•		•				100 - 277V AC		180	Glass	CW	2,200	21	105
HZP8C2N	•		•				100 - 277V AC	•	180	Glass	CW	5,700	58	98
HZP4C2N	•		•				100 - 277V AC	•	180	Glass	CW	4,700	48	98
HZP2C2N	•		•				100 - 277V AC	•	180	Glass	CW	3,700	38	97
HZP0C2N	•		•				100 - 277V AC	•	180	Glass	CW	2,200	21	105

<sup>†</sup>180° optical pattern models are optimized for a 45° mounting angle

<sup>‡</sup>Part numbers listed in the above table are cool white. For neutral white model replace the 5th character with **N** Ex: HZF2C2N becomes HZF2N2N








<sup>‡</sup>All lumen values are typical (tolerance +/- 10%)

Part numbers listed in the above table are 100-277 VAC. For 347-480 VAC model replace the 6th character with **2** Ex: HZF2C2N

For Dialight's complete list of DLC qualified products, please click this link: [www.dialight.com/Assets/News\\_And\\_Events/DLC\\_Part\\_Number\\_List.xls](http://www.dialight.com/Assets/News_And_Events/DLC_Part_Number_List.xls)

# SafeSite® LED Area Light

## Ordering Information

	Part Number	Description	Kit Includes
Stanchion Mount Junction Box - Class I Div. 2, Class II Div. 1, Class II Div. 2			
	HZXSTAN100S	1.00" ( 1.315" Pole OD) Slip-Fit Stanchion Mount Junction Box	Junction box mounting hardware (requires bracket HZXW3 or HZXW7 not included )
	HZXSTAN125S	1.25" ( 1.660" Pole OD) Slip-Fit Stanchion Mount Junction Box	
	HZXSTAN150S	1.50" ( 1.900" Pole OD) Slip-Fit Stanchion Mount Junction Box	
	HZXSTAN200S	2.00" ( 2.375" Pole OD) Slip-Fit Stanchion Mount Junction Box	
	HZXSTAN100T	1.00" ( 1.315" Pole OD) NPT Threaded Stanchion Mount Junction Box	
	HZXSTAN125T	1.25" ( 1.660" Pole OD) NPT Threaded Stanchion Mount Junction Box	
	HZXSTAN150T	1.50" ( 1.900" Pole OD) NPT Threaded Stanchion Mount Junction Box	
	HZXSTAN200T	2.00" ( 2.375" Pole OD) NPT Threaded Stanchion Mount Junction Box	
Wall/Pole Mount Junction Box - Class I Div. 2			
	HZXJB075	0.75" Ceiling / Wall / Pole Mount Junction Box	Junction box
	HZXJB100	1.00" Pole Mount Junction Box	
	HZXJB125	1.25" Pole Mount Junction Box	
	HZXJB150	1.50" Pole Mount Junction Box	
Wall/Pole Mount Junction Box and Photocell - Class I Div. 2			
	HZXJB075PC1	0.75" Ceiling / Wall / Pole Mount Junction Box - with 120V AC Photocell	Junction box 120V AC photocell
	HZXJB100PC1	1.00" Pole Mount Junction Box - with 120V AC Photocell	
	HZXJB125PC1	1.25" Pole Mount Junction Box - with 120V AC Photocell	
	HZXJB150PC1	1.50" Pole Mount Junction Box - with 120V AC Photocell	
Mounting Brackets (0, 45, 90 angles)			
	HZXW3	Stainless steel bracket	Bracket Mounting hardware
	HZXW7	Aluminum bracket	
	HZXW4	Stainless steel bracket with pipe clamp	Bracket Pipe clamp Mounting hardware
	HZXW8	Aluminum bracket with pipe clamp	
Safety Cable Kit			
	HZXSAFEKIT	Safety cable kit	2 Eyelets 2 Safety cables Mounting Hardware
	HZXSAFETABS	Safety Tabs	2 Eyelets Mounting Hardware

Conduit



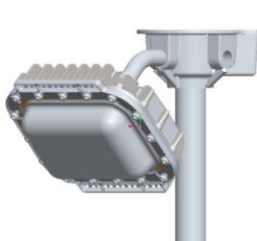
Pipe Clamp



Stanchion



Junction Box

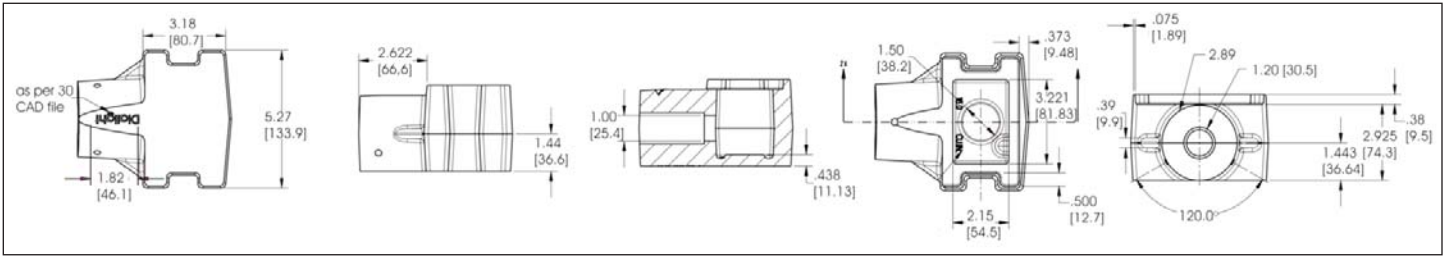




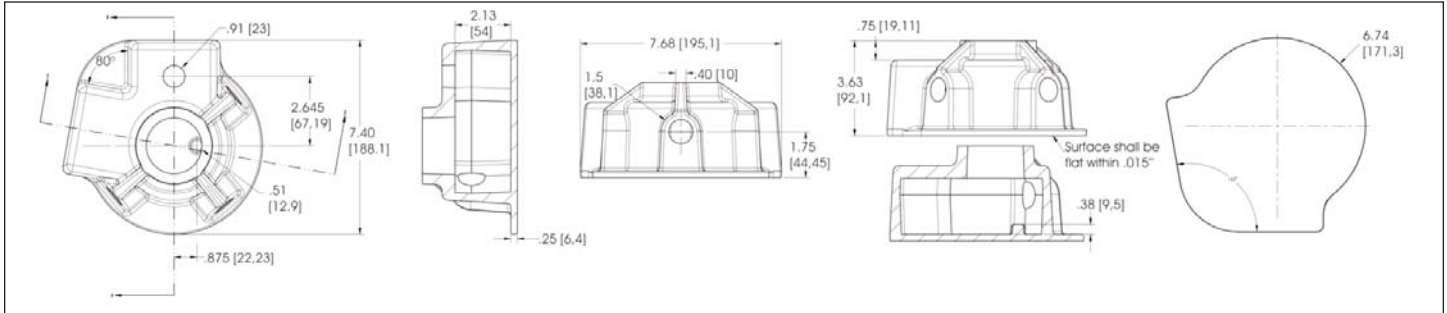
# SafeSite® LED Area Light

## Bracket Dimensions

### HZXSTANXXXX

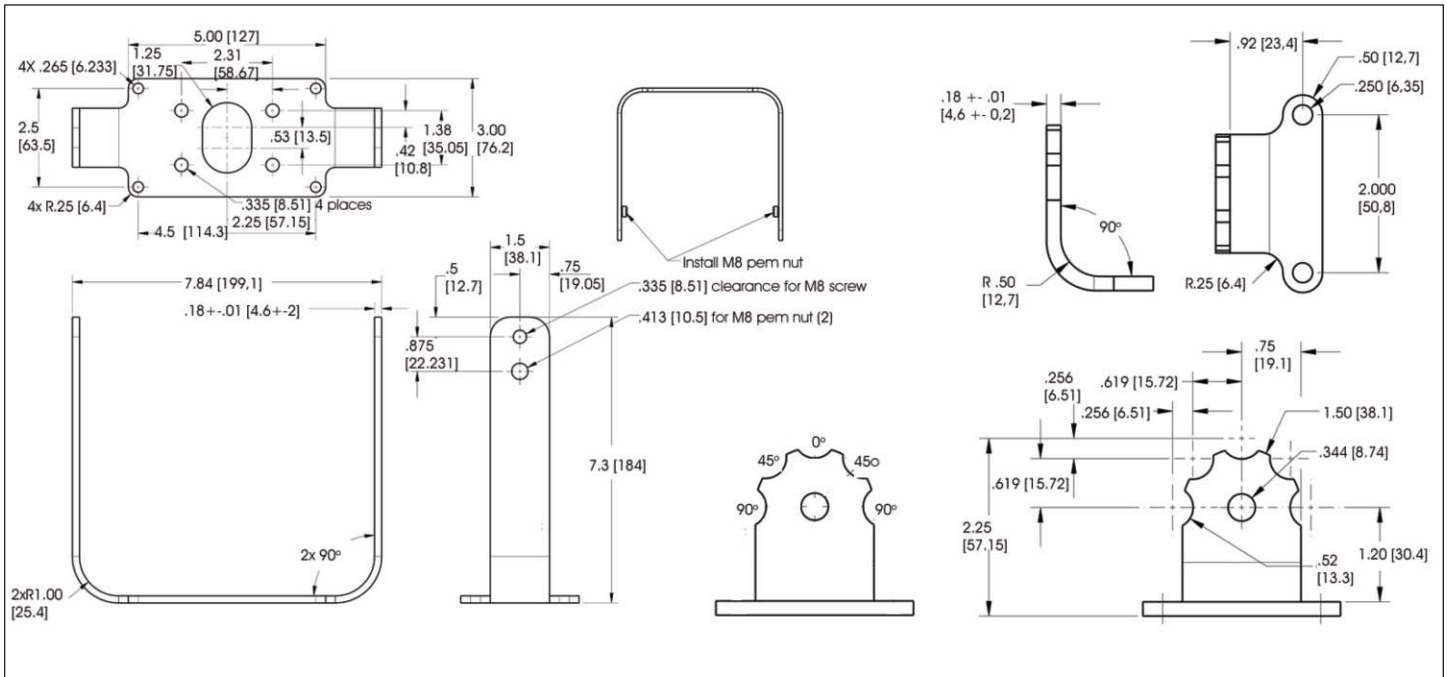


### HZXJBXXX and HZXJBXXXXXX



### HZXW3, HZXW4, HZXW7, AND HZXW8

.25" thick; HZXW4 and HZXW8 will mount to 1.5" conduit and comes with pipe mount clamps.



### HZXSAFEKIT and HZXSAFETABS

