



HLB SERIES ALUMINUM OR STAINLESS STEEL CLASS 1, DIV. 2 GROUPS A, B, C & D

FEATURES & SPECIFICATIONS:

Construction

- Housing and door constructed of heavy-duty, formed and seam welded copper free (<4%) aluminum alloy for years of trouble free operation
- All external hardware is stainless steel to resist attack from corrosive environments
- One-piece high temperature gasket provides a seal between the door frame and housing to prevent the entry of moisture and contaminants
- Tool-free lamp and ballast access for easy maintenance
- (2) 1/2" threaded hubs supplied standard for moisture tight supply connections

Optical system

- Heat and impact resistant glass sealed to housing with one-piece silicone gasket to prohibit entry of moisture and contaminants

Electrical System

- High power factor, constant-wattage autotransformer (CWA), Class H ballasts
- Electrical components are mounted to the aluminum housing, promoting maximum heat dissipation
- Porcelain mogul base socket with copper alloy, nickel plated screw shell and center contact
- 100% factory tested

Finish

- Aluminum unit is powder coated gray, optional colors available
- Stainless steel unit is unfinished

LISTINGS:

- ETL listed to UL 844, UL 1598; UL 1598A standards
- ETL listed to CSA 22.2 No.137
- Marine Indoor
- 40° C Ambient

APPLICATIONS:

- Waste water treatment plants
- Petrochemical plants
- Mining
- Corrosive environments
- Hazardous storage areas
- Pulp and paper mills
- Marine environments

OPTIONS:

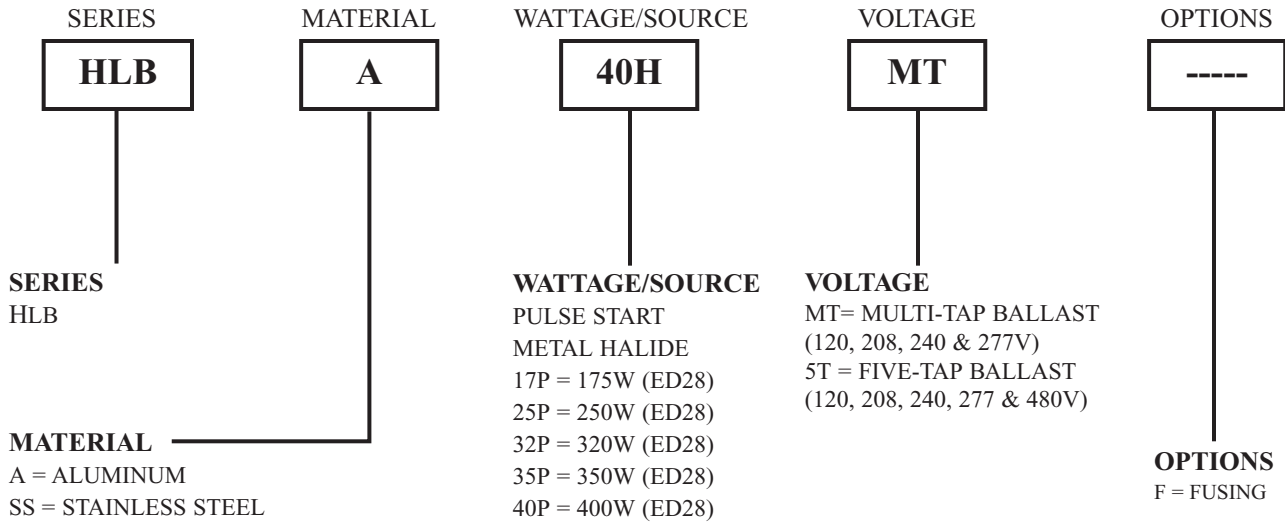
- Stainless steel construction
- Fusing (Non-marine)

SHIPPING WEIGHT:

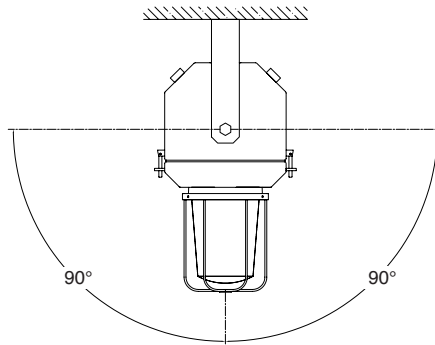
- 26 lbs Aluminum
- 32 lbs Stainless Steel

HLB SERIES

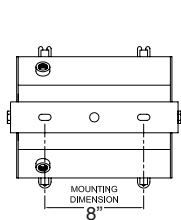
ORDERING INFORMATION



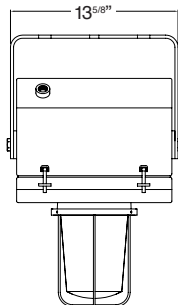
MOUNTING DETAIL



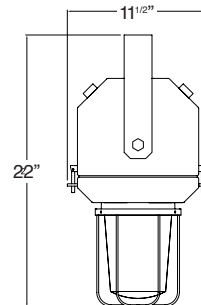
DIMENSIONS



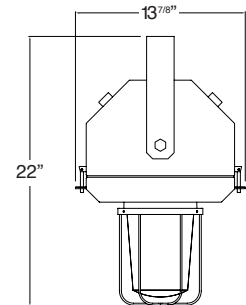
ALUM/SS



ALUM/SS



ALUMINUM MODEL



STAINLESS MODEL



INDATECH LIGHTING
5910 WEST BY NORTHWEST #100
HOUSTON, TX 77040

www.indatechlighting.com

713-937-3600 Phone
866-563-2832 Phone
713-937-3604 Fax