



FEATURES & SPECIFICATIONS:

Construction

- Heavy-duty die cast aluminum housing and door frame
- Hinged door frame allows for easy maintenance
- One-piece silicone gasket forms a water-tight seal between the housing and door frame
- External hardware is corrosion resistant
- Aluminum cable gland at conduit entry
- Available with steel yoke or steel trunnion painted dark bronze
- Standard finish is dark bronze powder coat

Optical System

- Heat and impact resistant tempered glass lens
- Anodized aluminum reflector system with NEMA 7X6 beam pattern

Electrical System

- Quad-tap CWA, Class H ballasts are supplied with all metal halide fixtures and 250W & 400W high pressure sodium fixtures
- High reactance, high power factor quad-tap Class H ballast is supplied with 150W high pressure sodium
- Rated to 40°C in all wattage variations
- Minimum starting temperature -40°C high pressure sodium and -30°C metal halide
- Lamp is included

HVAF SERIES

FLOODLIGHT

HID

HAZARDOUS

CLASS I, DIV. 2

GROUPS A, B, C & D

LISTINGS:

- UL Listed (UL 844)
Class I, Div. 2 Groups
A, B, C & D
- UL/CUL Listed (UL 1598)
- Suitable for wet locations
- 40°C Ambient temperature

APPLICATIONS:

- Coastal marine areas
- Chemical plants
- Pharmaceutical plants
- Coastal marine facilities
- Mining
- Cold storage facilities
- Hazardous storage areas
- Corrosive environments

OPTIONS:

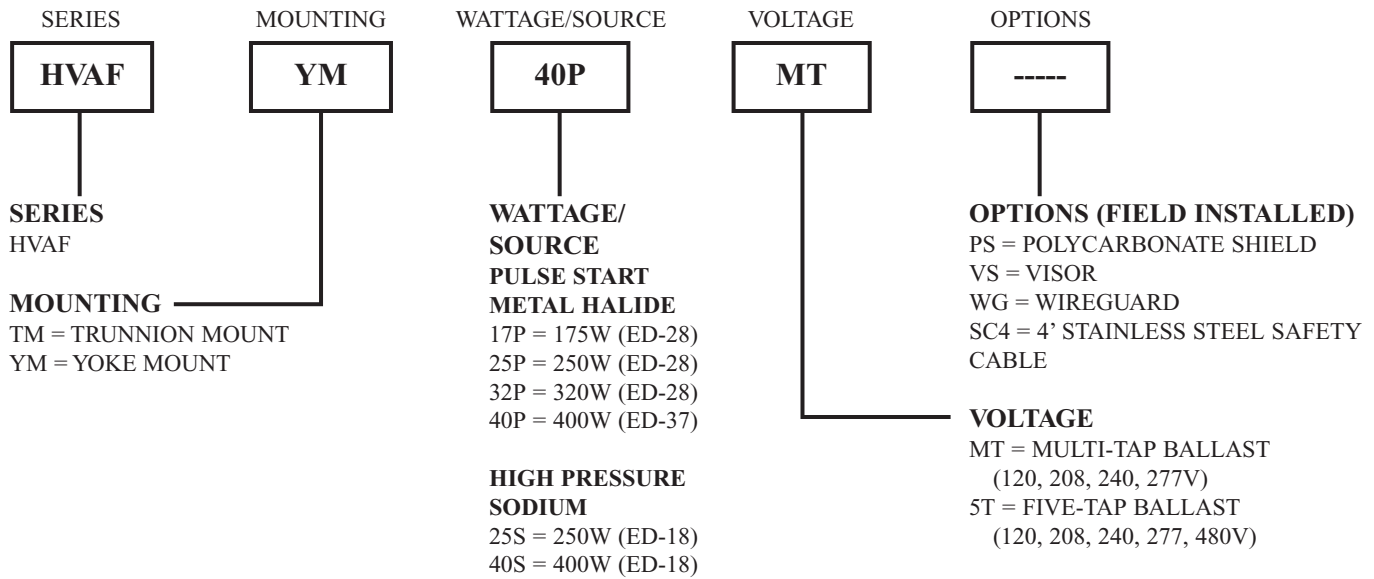
- Wire guard
- Visor
- Polycarbonate shield
- 4' Stainless steel safety cable

SHIPPING WEIGHT:

- 20 LBS (Yoke Mount)
- 22 LBS (Trunion Mount)

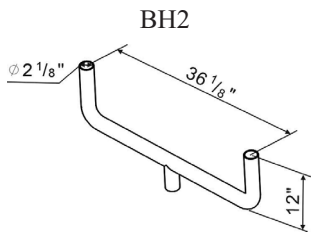
HVAF SERIES

ORDERING INFORMATION

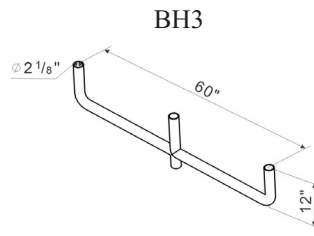


MOUNTING ACCESSORIES

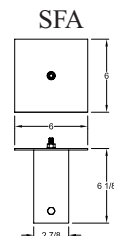
Mounting hardware is **not included with fixtures and must be ordered separately.



TWO FIXTURE BULLHORN

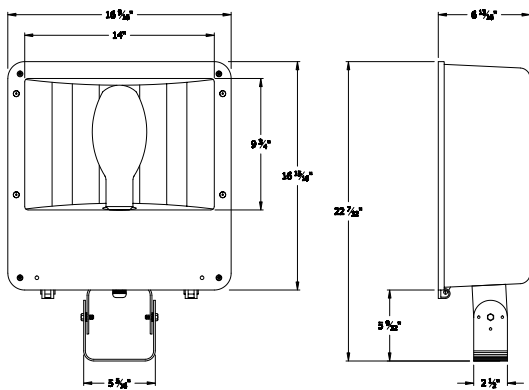


THREE FIXTURE BULLHORN
(3@180°)

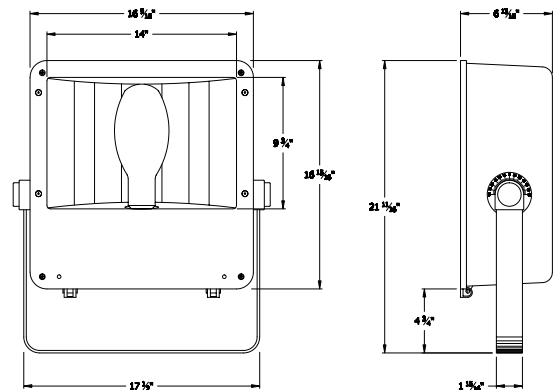


SLIPFITTER ADAPTER

DIMENSIONS



YOKE MOUNT



TRUNNION MOUNT