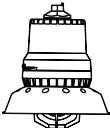



<p><b>EXPLOSION- PROOF HID LIGHTING FIXTURES</b></p> <p>Catalog Numbering System</p>	<p><i>Hazlux® 5</i></p>  <p><b>Mogul Base</b> 50 - 400 Watts</p>	 <ul style="list-style-type: none"> <li>• UL 844</li> <li>• Class I, Division 1, Groups C, D</li> <li>• Class II, Division 1 &amp; 2, Groups E, F, G</li> <li>• Suitable for Wet Locations</li> <li>• UL 595 Marine, NEMA 4X</li> </ul>
--	---	--

## Catalog Numbering System

**X S 0 07 H 040 - G - C2 - E**

① ② ③ ④ ⑤ ⑥ ⑦ ⑧ ⑩

### 1) Fixture Suitability

**X** = Hazardous Location  
Class I, Division 1 & 2, Groups C, D  
Class II, Division 1 & 2, Groups E, F, G  
Class III, Division 1 & 2  
NEMA 4X  
Miscellaneous Marine

### 2) Lamp Type

**M** = Mercury Vapor  
**S** = High Pressure Sodium  
**H** = Metal Halide  
**C** = High Pressure Sodium (ANSI S-56 lamp)

### 3) Quartz and Instant Restart Options

**0** = Standard Fixture  
**Q** = Fixture with Auxiliary Quartz option  
**R** = Fixture with Instant Restart option (70, 100 and 150 HPS only)

### 4) Lamp Wattage

**05** = 50 Watts  
**07** = 70 Watts  
**10** = 100 Watts  
**15** = 150 Watts  
**17** = 175 Watts  
**25** = 250 Watt  
**40** = 400 Watt

### 5) Ballast Circuit (High Power Factor)

**C** = Constant Wattage Autotransformer (CWA)  
**H** = High Reactance or Reactor

### 6) Ballast Voltage

**020** = 480 Volt with 120 Volt Tap†  
**030** = 120/277 Volt  
**040** = 120/208/240/277 Multi-Tap  
**120** = 120 Volt  
**480** = 480 Volt  
**340** = 347 Volt

### 7) Guard

**G** = Cast Guard  
Omit "G" if Guard not required

### 8) Mounting Style

**P2** = 3/4" Pendant  
**P3** = 1" Pendant  
**C2** = 3/4" Ceiling  
**C3** = 1" Ceiling  
**B2** = 3/4" Wall  
**B3** = 1" Wall  
**J2** = 3/4" Bulkhead  
**J3** = 1" Bulkhead  
**S4** = 1-1/4" Stanchion  
**S5** = 1-1/2" Stanchion

### 9) Special Options (Contact factory for prices)

**PS** = UL Listed fixture for paint spray areas. ✓  
(Selected Wattages)  
**T** = HAZCOTE™ Custom Corrosion Coating on all Aluminum Parts.  
**PST** = UL Listed for paint spray areas and with HAZCOTE™.

### 10) UNIPAK® Options

**D** = UNIPAK with diffuse coated lamp  
**E** = UNIPAK with clear lamp  
(See page K1 for details)

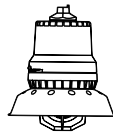
† For use with Auxiliary Quartz Circuit (Sylvania Lamp Cat. No. 100Q/CL/DC-120V 100 Watts D.C. bayonet base Qtz. T-4 lamps NOT furnished with fixture).  
★ Verify Hazardous Location Certification with your requirements on Hazlux Certification Guide General Information Page 4.  
✓ Verify Paint Spray Listing on Certification Guide General Information Page 4.  
‡ Contact Factory for CSA Certification.

Explosion Proof  
Fixtures

# EXPLOSION-PROOF HID LIGHTING FIXTURES

High Pressure Sodium

Hazlux® 5



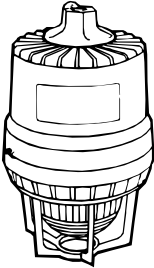
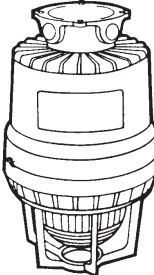
Mogul Base  
50 - 400 Watts



- UL 844
- Class I, Division 1, Groups C, D
- Class II, Division 1 & 2, Groups E, F, G
- Suitable for Wet Locations
- UL 595 Marine, NEMA 4X

Explosion Proof Fixtures

G

MOUNTING STYLE	LAMP † WATTS	CONDUIT SIZE (Inches)	VOLTAGE	CATALOG NUMBER WITH GUARD†	WT. EACH (Lbs.)
	50	3/4	120/277	XS005H030-G-P2	42
		1	120/277	XS005H030-G-P3	
	70	3/4	120	XS007H120-G-P2	42
			MT	XS007H040-G-P2	
	70	1	480	XS007H480-G-P2	42
			120	XS007H120-G-P3	
	100	3/4	MT	XS007H040-G-P3	43
			480	XS007H480-G-P3	
	100	1	120	XS010H120-G-P2	43
			MT	XS010H040-G-P2	
	150	3/4	480	XS010H480-G-P2	44
			120	XS010H120-G-P3	
	150	1	MT	XS010H040-G-P3	44
			480	XS010H480-G-P3	
	250	3/4	120	XS015H120-G-P2	49
			MT	XS015H040-G-P2	
250	1	480	XS015H480-G-P2	49	
		120	XS015H120-G-P3		
400	3/4	MT	XS015H040-G-P3	56	
		480	XS015H480-G-P3		
400	1	120	XS025C120-G-P2	56	
		MT	XS025C040-G-P2		
	50	3/4	120/277	XS005H030-G-C2	44
		1	120/277	XS005H030-G-C3	
	70	3/4	120	XS007H120-G-C2	44
			MT	XS007H040-G-C2	
	70	1	480	XS007H480-G-C2	44
			120	XS007H120-G-C3	
	100	3/4	MT	XS007H040-G-C3	45
			480	XS007H480-G-C3	
	100	1	120	XS010H120-G-C2	45
			MT	XS010H040-G-C2	
	150	3/4	480	XS010H480-G-C2	46
			120	XS010H120-G-C3	
	150	1	MT	XS010H040-G-C3	46
			480	XS010H480-G-C3	
	250	3/4	120	XS015H120-G-C2	51
			MT	XS015H040-G-C2	
250	1	480	XS015H480-G-C2	52	
		120	XS015H120-G-C3		
400	3/4	MT	XS015H040-G-C3	58	
		480	XS015H480-G-C3		
400	1	120	XS025C120-G-C2	58	
		MT	XS025C040-G-C2		
400	3/4	480	XS025C480-G-C2	58	
		120	XS025C120-G-C3		
400	1	MT	XS025C040-G-C3	58	
		480	XS025C480-G-C3		

† All fixtures are designed for mogul base lamps, with the lamp mounted in the base-up position (lamps are NOT furnished with fixture).

† GUARD: If a guard is not required delete one "G" from the Catalog Number.

■ Multi-Tap Ballast 120/208/277/240/277 Volts.

★ Verify Hazardous Location Certifications with your requirements on Hazlux Certification Guide General Information Page 4.

**Thomas & Betts**

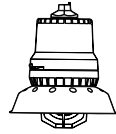
Hazlux® Quotations, Memphis, TN: 800-888-0211

© 1998 Thomas & Betts Corporation. All rights reserved.

# EXPLOSION-PROOF HID LIGHTING FIXTURES

High Pressure Sodium

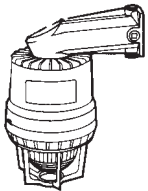
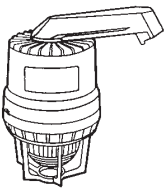
Hazlux® 5



Mogul Base  
50 - 400 Watts



- UL 844
- Class I, Division 1, Groups C, D
- Class II, Division 1 & 2, Groups E, F, G
- Suitable for Wet Locations
- UL 595 Marine, NEMA 4X

MOUNTING STYLE	LAMP † WATTS	CONDUIT SIZE (Inches)	VOLTAGE	CATALOG NUMBER WITH GUARD†	WT. EACH (Lbs.)	
<b>Wall or Bulkhead<sup>Ⓛ</sup> Mount</b>  	50	3/4	120/277	XS005H030-G-B2	45	
		1	120/277	XS005H030-G-B3		
	70	3/4		120	XS007H120-G-B2	45
				MT	XS007H040-G-B2	
	70	1		480	XS007H480-G-B2	45
				120	XS007H120-G-B3	
	100	3/4		MT	XS007H040-G-B3	46
				480	XS007H480-G-B3	
	100	1		120	XS010H120-G-B2	46
				MT	XS010H040-G-B2	
	150	3/4		480	XS010H480-G-B2	47
				120	XS010H120-G-B3	
	150	1		MT	XS010H040-G-B3	47
				480	XS010H480-G-B3	
	250	3/4		120	XS015H120-G-B2	52
				MT	XS015H040-G-B2	
250	1		480	XS015H480-G-B2	52	
			120	XS015H120-G-B3		
400	3/4		MT	XS015H040-G-B3	59	
			480	XS015H480-G-B3		
400	1		120	XS025C120-G-B2	52	
			MT	XS025C040-G-B2		
400	3/4		480	XS025C480-G-B2	59	
			120	XS025C120-G-B3		
400	1		MT	XS025C040-G-B3	59	
			480	XS025C480-G-B3		
<b>Stanchion Mount</b>  	50	1-1/4	120/277	XS005H030-G-S4	44	
		1-1/2	120/277	XS005H030-G-S5		
	70	1-1/4		120	XS007H120-G-S4	44
				MT	XS007H040-G-S5	
	70	1-1/2		480	XS007H480-G-S4	44
				120	XS007H120-G-S5	
	100	1-1/4		MT	XS007H040-G-S4	45
				480	XS007H480-G-S5	
	100	1-1/2		120	XS010H120-G-S4	45
				MT	XS010H040-G-S5	
	150	1-1/4		480	XS010H480-G-S4	46
				120	XS010H120-G-S5	
	150	1-1/2		MT	XS010H040-G-S4	46
				480	XS010H480-G-S5	
	250	1-1/4		120	XS015H120-G-S4	51
				MT	XS015H040-G-S5	
	250	1-1/2		480	XS015H480-G-S4	51
				120	XS015H120-G-S5	
	400	1-1/4		MT	XS015H040-G-S4	58
				480	XS015H480-G-S5	
	400	1-1/2		120	XS025C120-G-S4	58
				MT	XS025C040-G-S5	
	400	1-1/4		480	XS025C480-G-S4	58
				120	XS025C120-G-S5	
400	1-1/2		MT	XS025C040-G-S4	58	
			480	XS025C480-G-S5		

† All fixtures are designed for mogul base lamps, with the lamp mounted in the base-up position (lamps are NOT furnished with fixture).

† GUARD: If a guard is not required delete one "G" from the Catalog Number.

■ Multi-Tap Ballast 120/208/277/240/277 Volts.

\* Verify Hazardous Location Certifications with your requirements on Hazlux Certification Guide General Information Page 4.

Ⓛ For Bulkhead Mount, change "B2" or "B3" to "J2" or "J3". Example: XS010H040-G-J2.



Explosion Proof  
Fixtures

**Thomas & Betts**

Hazlux® Quotations, Memphis, TN: 800-888-0211

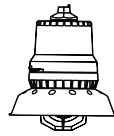
© 1998 Thomas & Betts Corporation. All rights reserved.

G3

**EXPLOSION-  
PROOF HID  
LIGHTIN  
FIXTURES**

Mercury Vapor

**Hazlux® 5**



**Mogul Base  
100 - 400 Watts**



- UL 844
- Class I, Division 1, Groups C, D
- Class II, Division 1 & 2, Groups E, F, G
- Suitable for Wet Locations
- UL 595 Marine, NEMA 4X

Explosion Proof  
Fixtures

**G**

MOUNTING STYLE	LAMP † WATTS	CONDUIT SIZE (Inches)	VOLTAGE	CATALOG NUMBER WITH GUARD†	WT. EACH (Lbs.)	
<b>Pendant Mount</b>  	100	3/4	MT 480	<b>XM010C040-G-P2</b> <b>XM010C480-G-P2</b>	42	
		1	MT 480	<b>XM010C040-G-P3</b> <b>XM010C480-G-P3</b>	42	
	175	3/4	MT 480	<b>XM017C040-G-P2</b> <b>XM017C480-G-P2</b>	43	
		1	MT 480	<b>XM017C040-G-P3</b> <b>XM017C480-G-P3</b>	43	
	250	3/4	MT 480	<b>XM025C040-G-P2</b> <b>XM025C480-G-P2</b>	44	
		1	MT 480	<b>XM025C040-G-P3</b> <b>XM025C480-G-P3</b>	44	
	400	3/4	MT 480	<b>XM040C040-G-P2</b> <b>XM040C480-G-P2</b>	48	
		1	MT 480	<b>XM040C040-G-P3</b> <b>XM040C480-G-P3</b>	48	
	<b>Ceiling Mount</b>  	100	3/4	MT 480	<b>XM010C040-G-C2</b> <b>XM010C480-G-C2</b>	44
			1	MT 480	<b>XM010C040-G-C3</b> <b>XM010C480-G-C3</b>	44
		175	3/4	MT 480	<b>XM017C040-G-C2</b> <b>XM017C480-G-C2</b>	45
			1	MT 480	<b>XM017C040-G-C3</b> <b>XM017C480-G-C3</b>	45
250		3/4	MT 480	<b>XM025C040-G-C2</b> <b>XM025C480-G-C2</b>	46	
		1	MT 480	<b>XM025C040-G-C3</b> <b>XM025C480-G-C3</b>	46	
400		3/4	MT 480	<b>XM040C040-G-C2</b> <b>XM040C480-G-C2</b>	50	
		1	MT 480	<b>XM040C040-G-C3</b> <b>XM040C480-G-C3</b>	50	

◆ All fixtures are designed for mogul base lamps, with the lamp mounted in the base-up position (lamps are NOT furnished with fixture).

† GUARD: If a guard is not required delete one "G" from the Catalog Number.

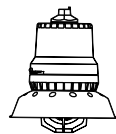
■ Multi-Tap Ballast 120/208/277/240/277 Volts.

★ Verify Hazardous Location Certifications with your requirements on Hazlux Certification Guide General Information Page 4.

# EXPLOSION-PROOF HID LIGHTING FIXTURES

Mercury Vapor

Hazlux® 5



Mogul Base  
100 - 400 Watts



- UL 844
- Class I, Division 1, Groups C, D
- Class II, Division 1 & 2, Groups E, F, G
- Suitable for Wet Locations
- UL 595 Marine, NEMA 4X

MOUNTING STYLE	LAMP † WATTS	CONDUIT SIZE (Inches)	VOLTAGE	CATALOG NUMBER WITH GUARD†	WT. EACH (Lbs.)	
<b>Wall or Bulkhead<sup>①</sup> Mount</b>  	100	3/4	MT 480	XM010C040-G-B2 XM010C480-G-B2	45	
		1	MT 480	XM010C040-G-B3 XM010C480-G-B3	45	
	175	3/4	MT 480	XM017C040-G-B2 XM017C480-G-B2	46	
		1	MT 480	XM017C040-G-B3 XM017C480-G-B3	46	
	250	3/4	MT 480	XM025C040-G-B2 XM025C480-G-B2	47	
		1	MT 480	XM025C040-G-B3 XM025C480-G-B3	47	
	400	3/4	MT 480	XM040C040-G-B2 XM040C480-G-B2	51	
		1	MT 480	XM040C040-G-B3 XM040C480-G-B3	51	
	<b>Stanchion Mount</b>  	100	1-1/4	MT 480	XM010C040-G-S4 XM010C480-G-S4	44
			1-1/2	MT 480	XM010C040-G-S5 XM010C480-G-S5	44
		175	1-1/4	MT 480	XM017C040-G-S4 XM017C480-G-S4	45
			1-1/2	MT 480	XM017C040-G-S5 XM017C480-G-S5	45
250		1-1/4	MT 480	XM025C040-G-S4 XM025C480-G-S4	46	
		1-1/2	MT 480	XM025C040-G-S5 XM025C480-G-S5	46	
400		1-1/4	MT 480	XM040C040-G-S4 XM040C480-G-S4	50	
		1-1/2	MT 480	XM040C040-G-S5 XM040C480-G-S5	50	

◆ All fixtures are designed for mogul base lamps, with the lamp mounted in the base-up position (lamps are NOT furnished with fixture).

† GUARD: If a guard is not required delete one "G" from the Catalog Number.

■ Multi-Tap Ballast 120/208/240/277 Volts.

★ Verify Hazardous Location Certifications with your requirements on Hazlux Certification Guide General Information Page 4.

① For Bulkhead Mount, change "B2" or "B3" to "J2" or "J3". Example: XM017040-G-J2.



Explosion Proof  
Fixtures

**Thomas & Betts**

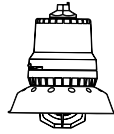
Hazlux® Quotations, Memphis, TN: 800-888-0211

© 1998 Thomas & Betts Corporation. All rights reserved.

G5

**EXPLOSION-  
PROOF HID  
LIGHTING  
FIXTURES**  
Metal Halide

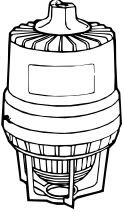
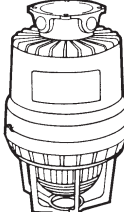
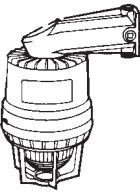
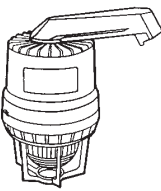
**Hazlux® 5**



**Mogul Base  
175 - 400 Watts**



- UL 844
- Class I, Division 1, Groups C, D
- Class II, Division 1 & 2, Groups E, F
- Suitable for Wet Locations
- UL 595 Marine, NEMA 4X

MOUNTING STYLE	LAMP † WATTS	CONDUIT SIZE (Inches)	VOLTAGE	CATALOG NUMBER WITH GUARD †	WT. EACH (Lbs.)
<b>Pendant Mount</b>  	175	3/4	MT	XH017C040-G-P2	45
			480	XH017C480-G-P2	
	175	1	MT	XH017C040-G-P3	45
			480	XH017C480-G-P3	
	250	3/4	MT	XH025C040-G-P2	48
			480	XH025C480-G-P2	
	250	1	MT	XH025C040-G-P3	48
			480	XH025C480-G-P3	
	400	3/4	MT	XH040C040-G-P2	53
			480	XH040C480-G-P2	
	400	1	MT	XH040C040-G-P3	53
			480	XH040C480-G-P3	
<b>Ceiling Mount</b>  	175	3/4	MT	XH017C040-G-C2	47
			480	XH017C480-G-C2	
	175	1	MT	XH017C040-G-C3	47
			480	XH017C480-G-C3	
	250	3/4	MT	XH025C040-G-C2	50
			480	XH025C480-G-C2	
	250	1	MT	XH025C040-G-C3	50
			480	XH025C480-G-C3	
	400	3/4	MT	XH040C040-G-C2	55
			480	XH040C480-G-C2	
	400	1	MT	XH040C040-G-C3	55
			480	XH040C480-G-C3	
<b>Wall or Bulkhead<sup>Ⓛ</sup> Mount</b>  	175	3/4	MT	XH017C040-G-B2	48
			480	XH017C480-G-B2	
	175	1	MT	XH017C040-G-B3	48
			480	XH017C480-G-B3	
	250	3/4	MT	XH025C040-G-B2	51
			480	XH025C480-G-B2	
	250	1	MT	XH025C040-G-B3	51
			480	XH025C480-G-B3	
	400	3/4	MT	XH040C040-G-B2	56
			480	XH040C480-G-B2	
	400	1	MT	XH040C040-G-B3	56
			480	XH040C480-G-B3	
<b>Stanchion Mount</b>  	175	1-1/4	MT	XH017C040-G-S4	47
			480	XH017C480-G-S5	
	175	1-1/2	MT	XH017C040-G-S4	47
			480	XH017C480-G-S5	
	250	1-1/4	MT	XH025C040-G-S4	50
			480	XH025C480-G-S5	
	250	1-1/2	MT	XH025C040-G-S4	50
			480	XH025C480-G-S5	
	400	1-1/4	MT	XH040C040-G-S4	55
			480	XH040C480-G-S5	
	400	1-1/2	MT	XH040C040-G-S4	55
			480	XH040C480-G-S5	


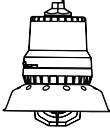
◆ All fixtures are designed for mogul base lamps, with the lamp mounted in the base-up position (lamps are NOT furnished with fixture).

† GUARD: If a guard is not required delete one "G" from the Catalog Number.

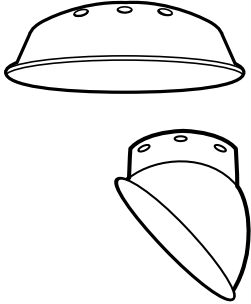
■ Multi-Tap Ballast 120/208/240/277 Volts.

★ Verify Hazardous Location Certifications with your requirements on Hazlux Certification Guide General Information Page 4.


Ⓛ For Bulkhead Mount, change "B2" or "B3" to "J2" or "J3." Example: XH025C040-G-B2.

ACCESSORIES AND FIXTURE COMPONENTS	<b>Hazlux® 5</b>	 <ul style="list-style-type: none"> <li>• UL 844</li> <li>• Class I, Division 1, Groups C, D</li> <li>• Class I, Division 2, Groups A, B, C &amp; D</li> <li>• Class II, Division 1 &amp; 2, Groups E, F, G</li> <li>• Suitable for Wet Locations</li> <li>• NEMA 4X</li> <li>• UL 595 Marine</li> <li>• UL 1572</li> </ul>
		

## REFLECTORS

	CATALOG NUMBER	DESCRIPTION	WT. EA. (LBS.)
	• <b>VR31P</b>	Standard Dome Fiberglass Reinforced Polyester Finish	3
	• <b>VRD31</b>	Deep Dome Steel with Anodized Aluminum Finish	3
	• <b>VRA31P</b>	30° Angle Reflector, Fiberglass Reinforced Polyester Finish	3

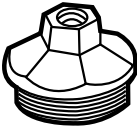

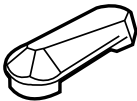
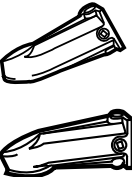
## GUARDS

	CATALOG NUMBER	DESCRIPTION	WT. EA. (LBS.)
	• <b>XGU44</b>		1
	• <b>VGU31</b> ①		2

## REPLACEMENT GLOBE ASSEMBLIES

	CATALOG NUMBER	DESCRIPTION	WT. EA. (LBS.)
	<b>XGSA44</b>	Hazlux 5 replacement globe assembly. 50-250 watts	17
	<b>XGSA44A</b>	Hazlux 5 replacement globe assembly. 400 watts.	20

## OUTLET BOXES — Designed for all Hazlux 5 or Hazlite M5 Ballast Housings.

MOUNTING STYLE	CATALOG NUMBER	CONDUIT HUB SIZE	WT. EA. (LBS.)	MOUNTING STYLE	CATALOG NUMBER	CONDUIT HUB SIZE	WT. EA. (LBS.)
Pendant Mount 	<b>XP2</b> <b>XP3</b>	3/4"	2	Ceiling Mount 	<b>XC2</b> <b>XC3</b>	3/4"	4
		1"	2			1"	4
Stanchion Mount 	<b>XS4</b> <b>XS5</b>	1-1/4"	4	Wall/Bulkhead Mounts 	<b>Wall</b> <b>XB2</b> <b>XB3</b>	3/4"	5
		1-1/2"	4			1"	5
					<b>Bulkhead</b> <b>XJ2</b> <b>XJ3</b>	3/4"	5
						1"	5

Outlet Boxes included Female Electrical connectors and appropriate Close-Up Plugs.

① Used on all 400 watt fixtures and 250 watt H.P.S. fixtures.

★ Verify Hazardous Location Certification with your requirements on Hazlux Certification Guide General Information Page 4.

• Factory Stock.

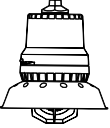

**Thomas & Betts**

Hazlux® Quotations, Memphis, TN: 800-888-0211

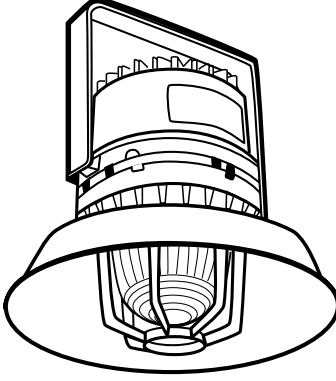
© 1998 Thomas & Betts Corporation. All rights reserved.

G7



<p><b>FLOODLIGHTS</b> High Pressure Sodium Mercury Vapor Metal Halide</p>	<p><b>Hazlux®5</b></p>  <p><b>50 - 400 WATTS</b></p>	 <ul style="list-style-type: none"> <li>• UL844</li> <li>• Class I, Division 1 &amp; 2, Groups C, D</li> <li>• Class I, Division 2, Groups A, B, C &amp; D</li> <li>• Class II, Division 1 &amp; 2, Groups E, F, G</li> <li>• Class III</li> <li>• Suitable for Wet Locations</li> <li>• NEMA 4X</li> <li>• UL 1572</li> </ul>
---	---	---

**HAZLUX®5 FLOODLIGHT (Trunnion Mount) Class I, Division 1①**

	<p><b>LAMP TYPE/ WATTS</b></p>	<p><b>CATALOG NUMBER</b> Includes: Fixture — Trunnion — 3/4" Conduit Outlet</p>
	<b>High Pressure Sodium</b>	
	50	XS05H03-P2-TR
	70	XS07H04-P2-TR
	100	XS10H04-P2-TR
	150	XS15H04-P2-TR
	250	XS25C04-P2-TR
	400	XS40C04-P2-TR
	<b>Metal Halide</b>	
	175	XH17C04-P2-TR
250	XH25C04-P2-TR	
400	XH40C04-P2-TR	
<b>Mercury Vapor</b>		
100	XM10C04-P2-TR	
175	XM17C04-P2-TR	
250	XM25C04-P2-TR	
400	XM40C04-P2-TR	

NOTE: Fixture shown with Dome Reflector and Guard. These are not included in the Catalog Numbers above. See "Accessories" below.  
 ① Contact factory for T-Ratings.

**HAZLUX®5 FLOODLIGHT ACCESSORIES**

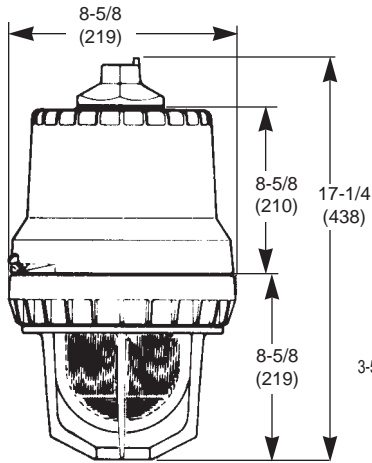
<b>ACCESSORIES</b>	<b>CATALOG NUMBER</b>
Angle Reflector	VRA31
Dome Reflector	VR31P
Deep Reflector	VRD31
Cast Guard	XGU44 (50-150 H.P.S., 175/250 M.H. or 100-250 M.V.)
Cast Guard	VGU 31 (250/400 H.P.S., 400 M.V. or 400 M.H.)
Pole-Top Mount	9902 (Slipfitter mounting). Fits 2" or 2-1/2" pipe (2" pipe intrudes 3-1/16"; 2-1/2" pipe intrudes 2-3/4".) Furnished with mounting bolts set screws.



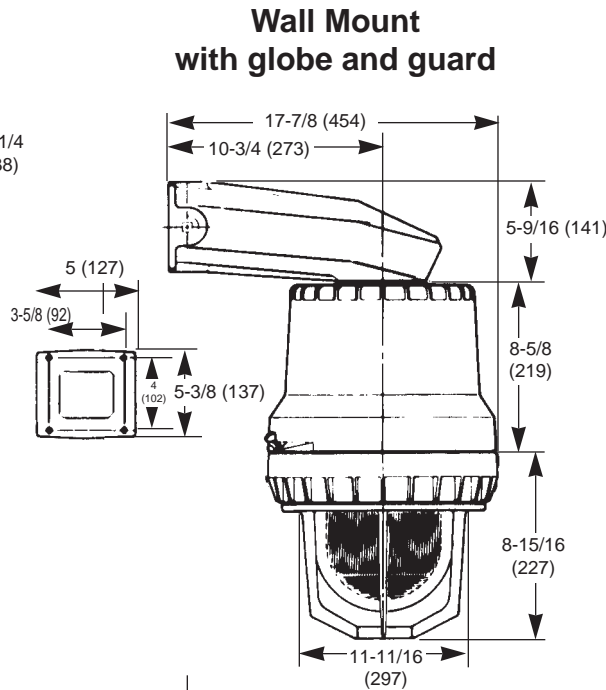
# Hazlux<sup>®</sup> 5 Dimensional Drawings



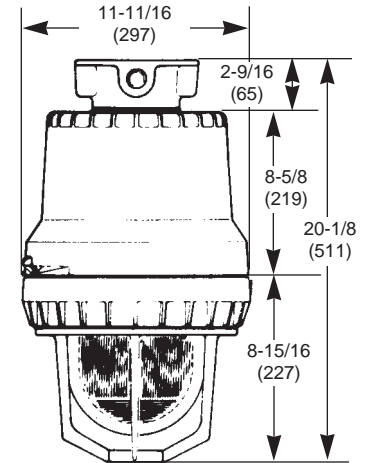
Explosion Proof  
Fixtures



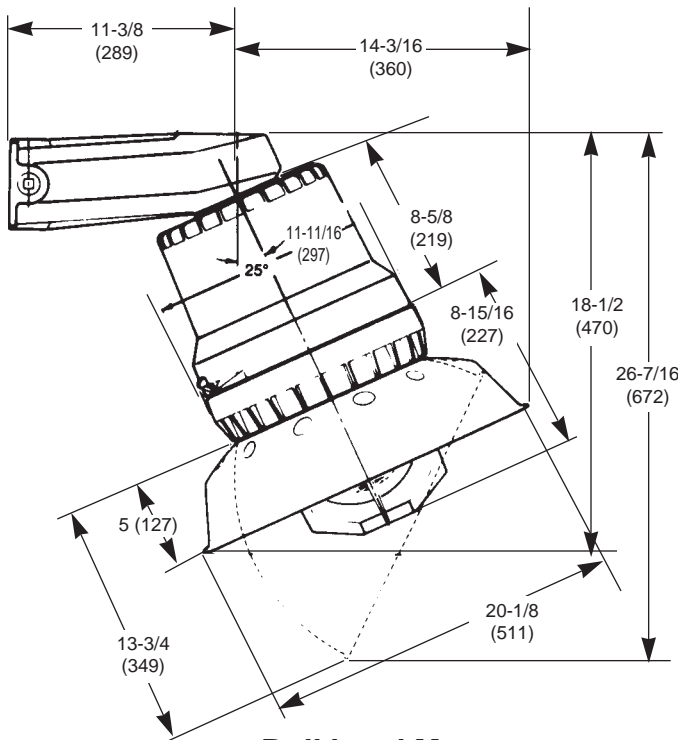
**Pendant Mount  
with globe and guard**



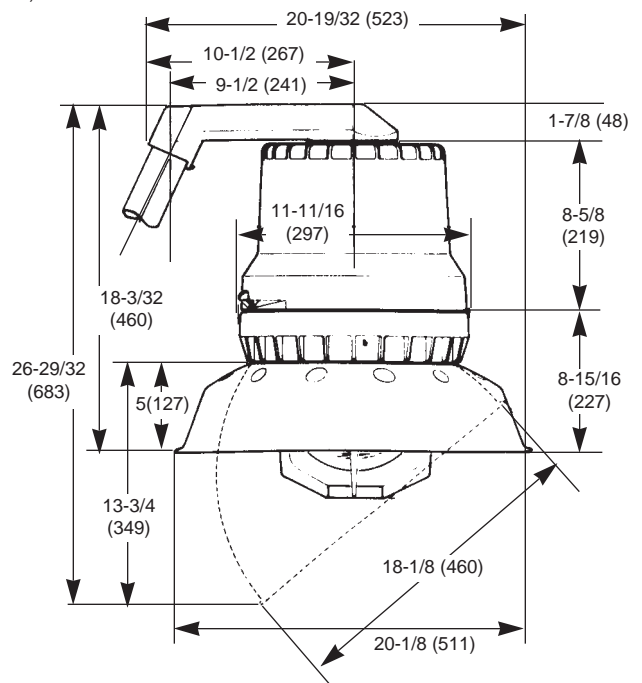
**Wall Mount  
with globe and guard**



**Ceiling Mount  
with globe and guard**



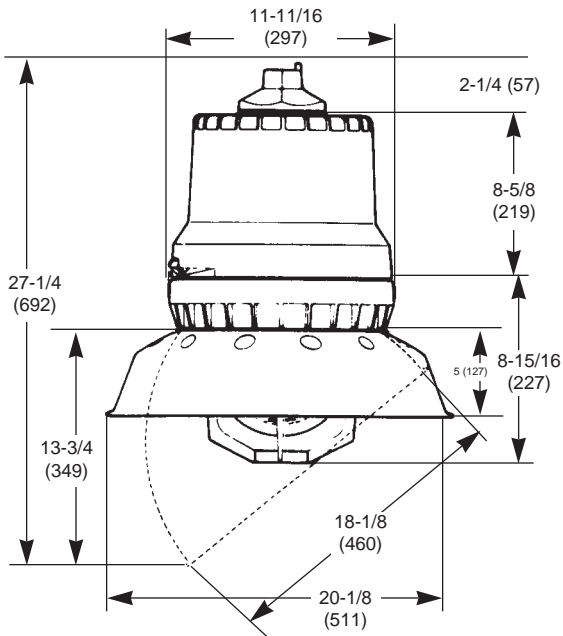
**Bulkhead Mount  
with globe, guard and reflector**



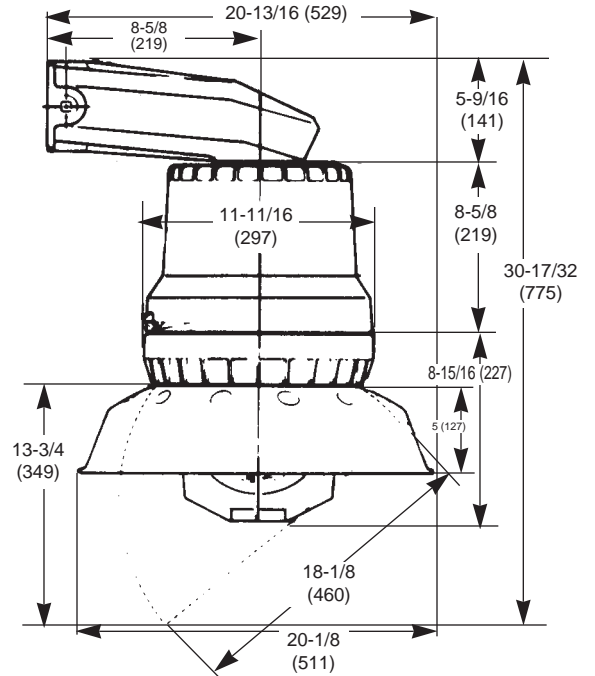
**Stanchion Mount  
with globe, guard and reflector**

**Thomas & Betts**

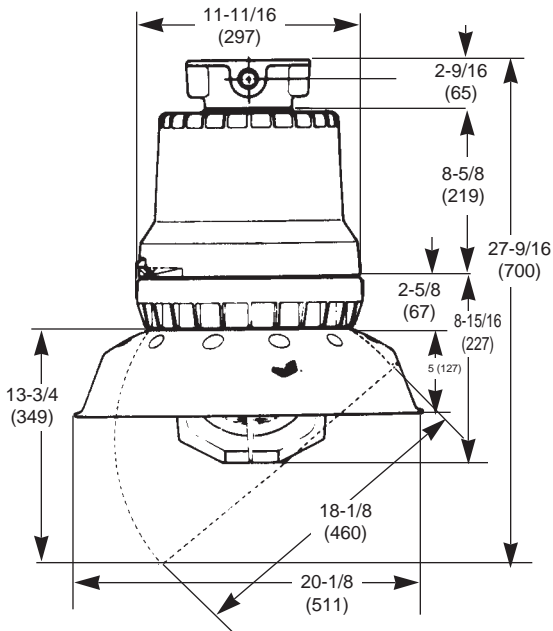
# Hazlux<sup>®</sup>5 Dimensional Drawings



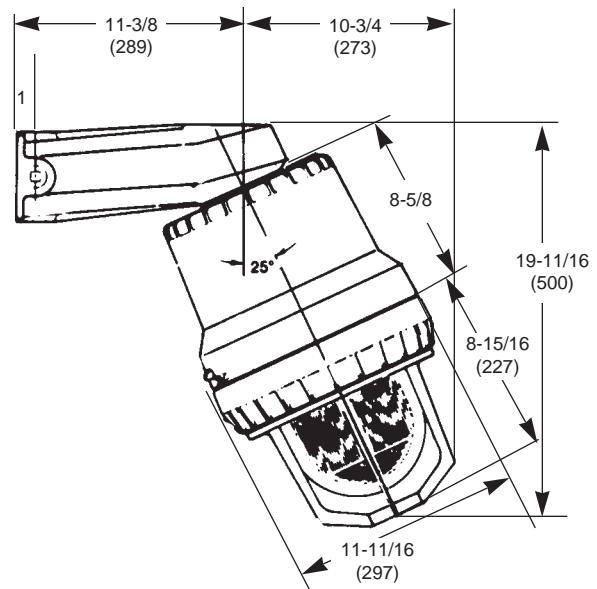
**Pendant Mount  
with globe, guard and reflector**



**Wall Mount  
with globe, guard and reflector**



**Ceiling Mount  
with globe, guard and reflector**

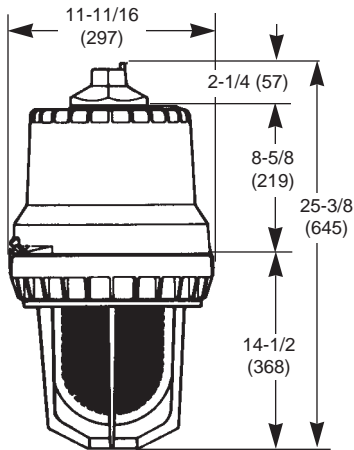


**Bulkhead Mount  
with globe and guard**

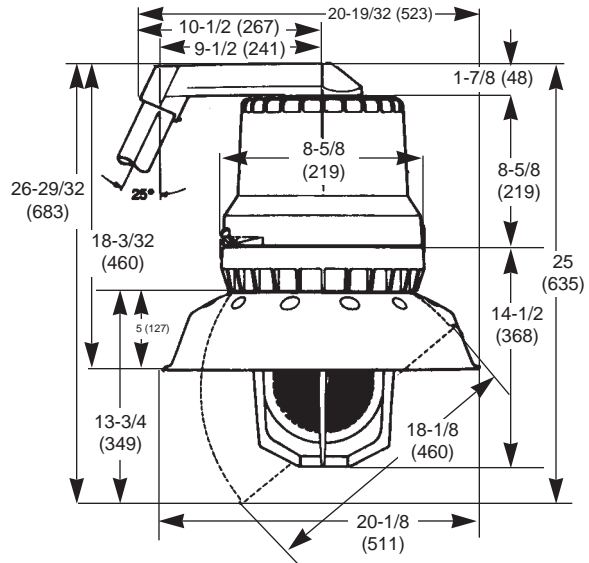
# Hazlux® 5 (400 Series) Dimensional Drawings



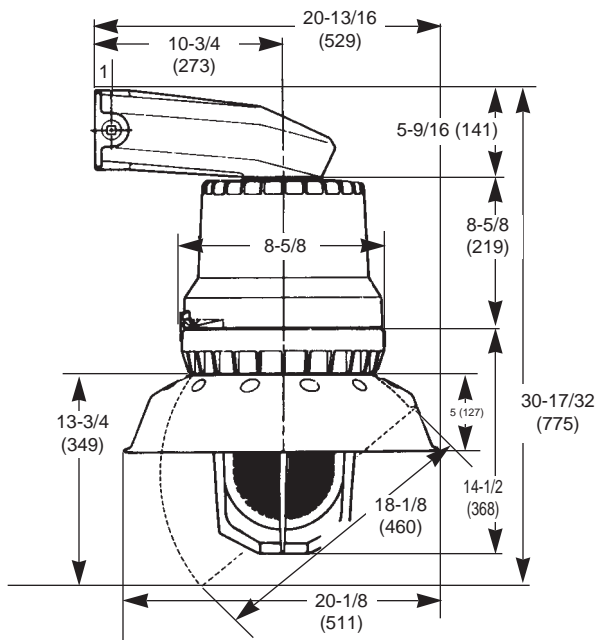
Explosion Proof  
Fixtures



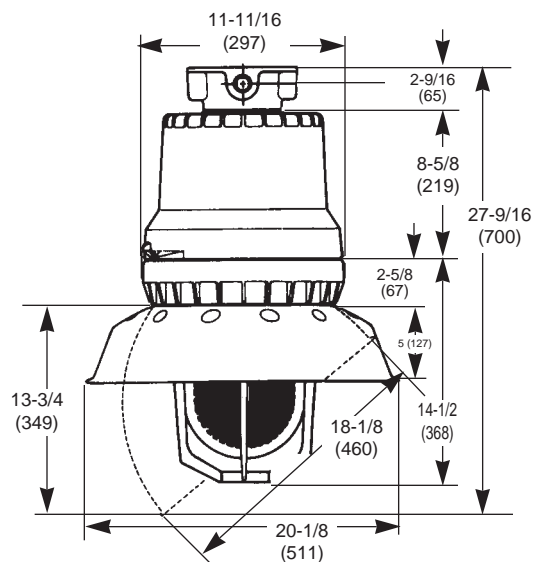
**Pendant Mount  
with globe and guard**



**Stanchion Mount  
with globe, guard and reflector**



**Wall Mount  
with globe, guard and reflector**



**Ceiling Mount  
with globe, guard and reflector**

**Thomas & Betts**

Hazlux® Quotations, Memphis, TN: 800-888-0211

© 1998 Thomas & Betts Corporation. All rights reserved.