



Product Specifications



Nastro™

Nastro LED High Bay

150W Nastro LED High Bay
EO-LN-150
EO-LN-150T

FEATURES

- Linear Design
- System Light Efficacy 100 LPW
- Easy Installation & Maintenance
- IP65
- Five Years Warranty
- ETL, DLC, CE, RoHS, CB, WEEE

TYPICAL APPLICATIONS

- Warehouse/Manufacturing Facilities
- Convention Centers/Sporting Arenas
- Big-Box Retail Stores
- Cold Storage Facilities
- Gymnasiums

SPECIFICATIONS

PERFORMANCE

| | |
|--------------------|----------------------------------------------------------|
| LED Chip | OSRAM |
| Lumen Output (IES) | 15,000 lm |
| Power Consumption | 150 W |
| Efficacy (IES) | 100 lm/W |
| Beam Angle | 90°, 30×100° |
| Color Temperature | 4500~5500K (2500~5500K Optional) |
| CRI | ≥80 |
| Lumen Maintenance | L70>100,000 hours (Calculated Using TM-21 Calculator) |
| Input Voltage | 100-277 VAC (Dimming Optional) |
| Power Factor | 0.95 minimum |

ENVIRONMENTAL

| | |
|-----------------------|-----------------------------|
| IP Rating | IP65 |
| Operating Temperature | --30 to 45°C (-22 to 113°F) |
| Humidity | 15% to 90% RH |

PHYSICAL

| | |
|--------------------|---------------------------------|
| Dimensions (L×W×H) | 945×159×95 mm (37.2×6.3×3.7 in) |
| Weight | 6.5 kg (14.3 lbs) |
| Mounting Options | Chain Mount |
| Fixture Material | Aluminum Alloy |

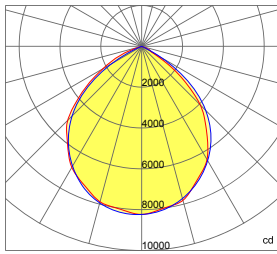
WARRANTY

5 Years

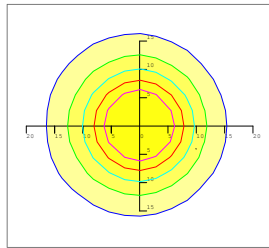


Photometrics

90 DEGREE LENS



— 0.0~180.0
— 90.0~270.0

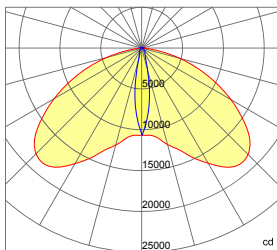


Mounting Hight 16m, 0 Tilt,
50LUX-5LUX

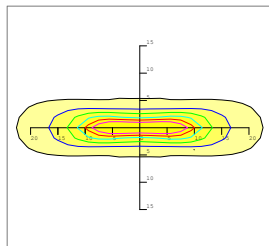
| Illumination-90 Degree Beaming Angle | | |
|--------------------------------------|---------------|--------|
| Height | Beam Diameter | LUX |
| 6m | φ 16m | 133LUX |
| 7m | φ 19m | 101LUX |
| 8m | φ 23m | 78LUX |
| 9m | φ 24m | 62LUX |
| 10m | φ 28m | 50LUX |

| | |
|-----------------------|-----------|
| Beam Angle (50% max) | 90 DEG |
| Field Angle (10%) | 130 DEG |
| Luminous Flux (IES) | 15,000 lm |
| Light Efficacy (IES) | 100 lm/W |
| UGR | 25 |
| Cutoff Classification | Cutoff |

30×100° DEGREE LENS



— 0.0~180.0
— 90.0~270.0



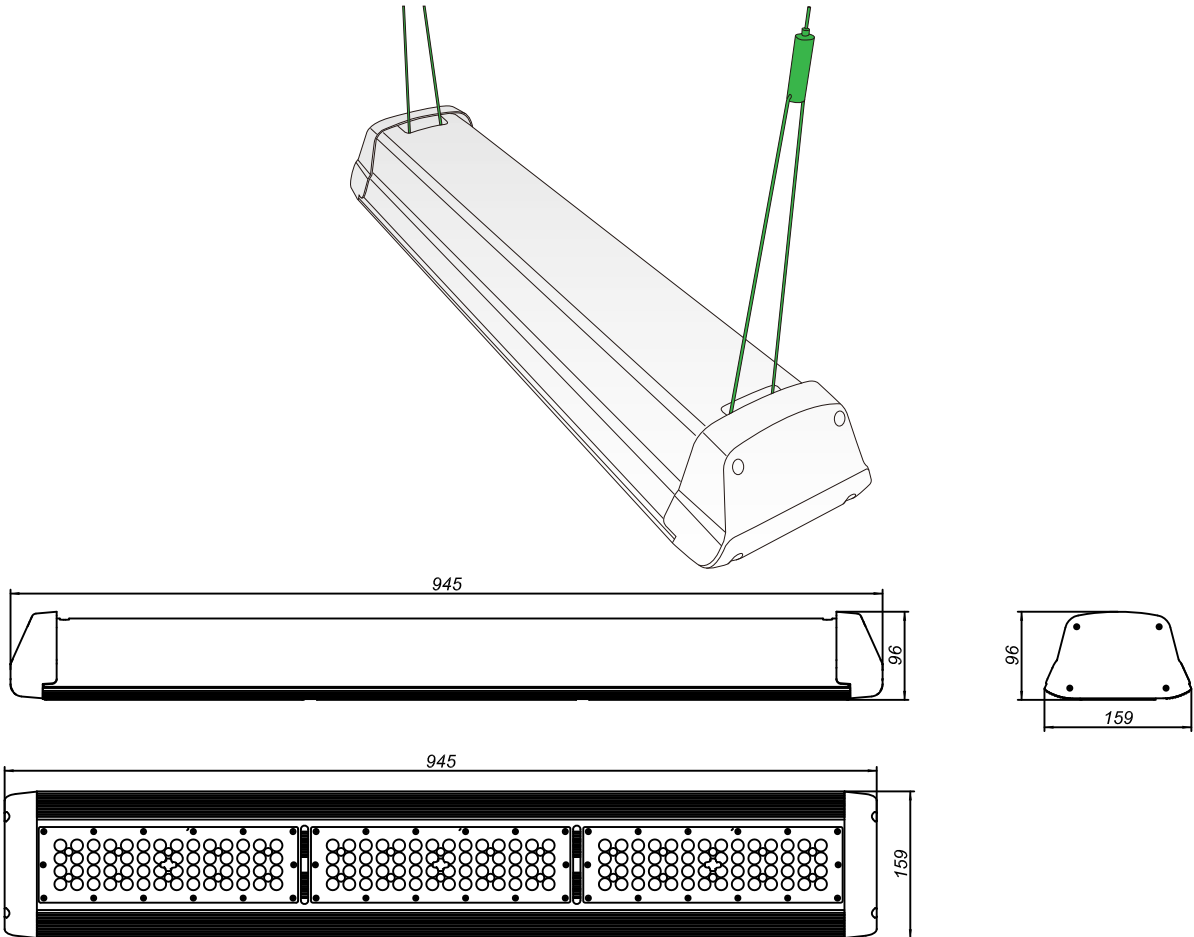
Mounting Hight 10m, 0 Tilt,
50LUX-5LUX

| Illumination-30/100 Degree Beaming Angle | | |
|------------------------------------------|------------------------|--------|
| Height | Rectangular Light Spot | LUX |
| 7m | 3×13m | 261LUX |
| 8m | 4×15m | 199LUX |
| 9m | 4×17m | 157LUX |
| 10m | 4×19m | 127LUX |
| 11m | 5×21m | 104LUX |

| | |
|-----------------------|-------------|
| Beam Angle (50% max) | 30×100 DEG |
| Field Angle (10%) | 50×120 DEG |
| Luminous Flux (IES) | 15,000 lm |
| Light Efficacy (IES) | 100 lm/W |
| UGR | 12/39 |
| Cutoff Classification | Semi-Cutoff |

Mounting Options

Chain Mount



Ordering Information

