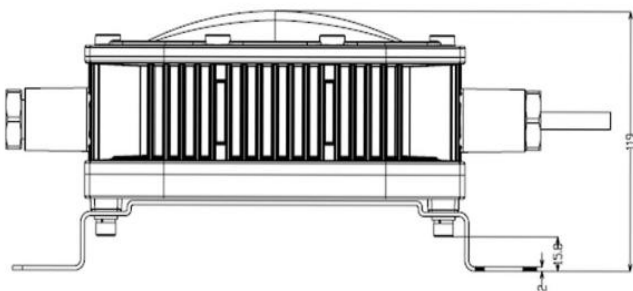
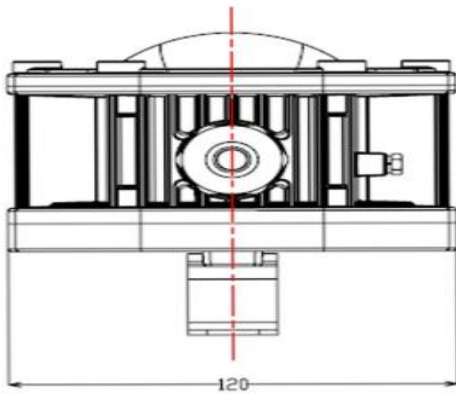
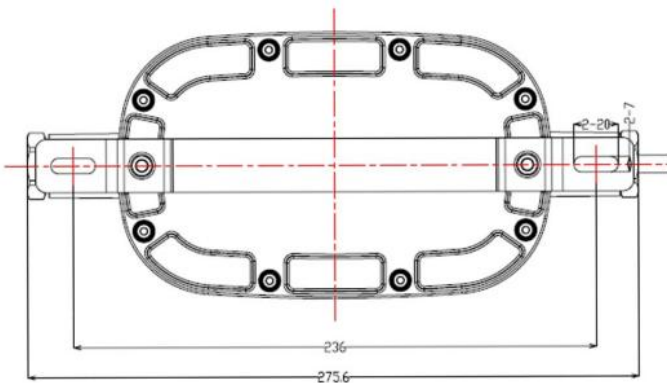


DMT-30 LED Floodlight



The DMT-30 explosion proof lighting fixture is stainless steel housing with bulletproof PC lens. 3000 Lumens output, it is energy efficient and replaces up to 200W halogen fixtures. The DMT-30 fixture is suitable for underground mines, industrial plants, oil rigs, ect.

Specification

Items	Unit
Total power consumption:	33 watt
Output lumens:	3000 lumens
Rated Voltage	AC 85~265V
	DC 24/36V
Dimension:	10.6"x 4.7"x 4.7"
weight:	5 kg
Power factor (λ):	>0.9
High power LED brand:	CREE
CRI:	78
CCT:	6500K
Corrosion proof grade:	WF2
IP Classification:	IP67
Explosion protection classification:	Class 1 Div 1 G-C,D
Equipment category:	MI, MII
Area classifications (gases):	Zone 1 and 2
Gas Group:	IIA, IIB,
Area classification (dusts):	Zone 21 and 22
Temperature classification:	T5

CSA- US Certified to:

- UL 1598 Suitable for Wet Locations
- UL 8750
- CSA -US- C22.2 No.137
 - Class I, Division I Groups C,D
 - Class I, Division 2 Groups C,D
- CSA- US (C22.2 No. 250.0-08
IP67 Rated (Fixture)