

DL Series

LED Hazardous Area Lighting

Class I	Division 2, Groups A, B, C and D
Class II	Zone 2, Groups IIC, IIB, IIA
Class III	Division 1 and 2, Groups E, F and G
- UL1598A For Marine Locations - NEMA-4X - UL844 - CSA C22.2 No 137	
Contact your Thomas&Betts sales representatives to verify classification	

Simultaneous Class I Division 2 and Class II



Features

- Faster and easier installation with simple hinge arrangement that permits “hands-free” wiring
- Instant-on / instant restrike
- 5000K CCT and 70 CRI standard*
- Exceptional energy efficient LED technology reduce maintenance and prevent downtimes
- Rated for extreme temperature (-40°C to 55°C) or (-35°C to 40°C) depending on model
- Retrofits into existing Hazlux® 3 applications

Construction

- Cast, copper-free aluminum construction for high strength, light weight and corrosion resistance
- The paint used in our standard finish is baked, electro-deposited, pure epoxy powder
- All exposed hardware is corrosion-resistant stainless steel

* For other CCT, please contact factory.

Electrical

- AC input: 120 to 277Vac 50/60Hz; option: 347 / 480Vac 50/60Hz
- Soft-start; in-rush maximum current; high power factor: 0.9
- Protection: AC over-voltage; over-temperature; load short-circuit

Options

- Selection of optical assemblies: Thermal Resistant Glass Globe and Glass Refractor Globe (type I, III and V)
- Guard options include polymeric or cast guards
- Selection of Mounting Styles: Includes pendant, wall or ceiling mounts and stanchions
- HazCote® custom anti-corrosion coating options. Please consult factory
- LED mini-reflectors available to offer 35°, 45° or 65° beam angle

T-Ratings

Model	AC Power (W)	Lumen	Lm/W	Temperature Code			
				40°C		55°C	
				Class I Div 2	Class I Div 2 & Class II	Class I Div 2	Class I Div 2 & Class II
DL005	45	5,800	129	T5	T4A	T5	T4
DL007	58	7,100	122	T5	T4A	T5	T4
DL010	88	10,100	144	T4A	T4A	T4A	T4
DL015	122	15,600	128	T4	T3C	N.A.	N.A.
DL017	131	17,800	135	T4	T3C	N.A.	N.A.
DL020	166	20,400	123	T3C	T3C	N.A.	N.A.

Hazlux® LED - DL Series

Safety Technology

Catalog Ordering Number System

UNIPAK™

LED Driver Tank + Optics and Mountings + Options (If necessary)

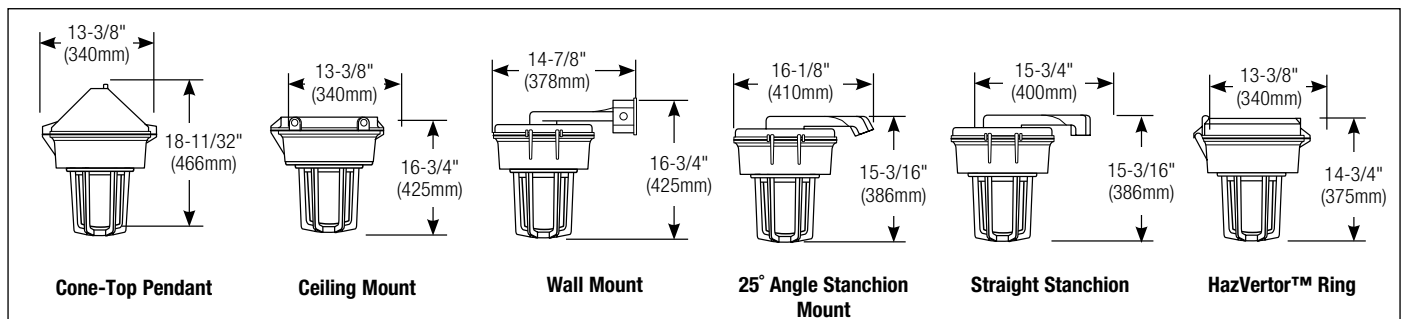
LED Driver Tank					
DL	0	10	E	UN	0
1	2	3	4	5	6

Optics & Mounting			
TG	C	C2	E
7	8	9	10

Options	
T	I6
11	12

<p>1 Fixture Series</p> <p>DL= Hazlux® 3 LED Series</p>	<p>9 Mounting Style</p> <p>A2= 3/4" Cone-Top Pendant</p> <p>A3= 1" Cone-Top Pendant</p> <p>B2= 3/4" Wall Mount</p> <p>B3= 1" Wall Mount</p> <p>C2= 3/4" Ceiling Mount</p> <p>C3= 1" Ceiling Mount</p> <p>HV1= Hazvertor™ Adapter Ring - Class I Div. 2, Zone 2</p> <p>HV2= Hazvertor™ Adapter Ring - Class I Div. 2, Zone 2 Class II</p> <p>L4= 1-1/4" Straight Stanchion</p> <p>L5= 1-1/2" Straight Stanchion</p> <p>S4= 1-1/4" 25° Angle Stanchion</p> <p>S5= 1-1/2" 25° Angle Stanchion</p> <p>Blank= No Mounting (to replace existing fixture)</p>
<p>2 Fixture</p> <p>0= Standard Fixture</p>	<p>10 UNIPAK™ Options</p> <p>E= UNIPAK™ with LED light source</p>
<p>3 Fixture Lumen Output</p> <p>05= 5,800 lumens, 45W</p> <p>07= 7,100 lumens, 58W</p> <p>10= 10,100 lumens, 88W</p> <p>15= 15,600 lumens, 122W</p> <p>17= 17,800 lumens, 131W</p> <p>20= 20,400 lumens, 166W</p>	<p>11 Special Options</p> <p>T= HazCote® Custom Anti-corrosion Coating (Consult factory)</p> <p>G= Grey colour option</p>
<p>4 Driver Circuit</p> <p>E= Electronic LED driver</p>	<p>12 Light Distribution Options</p> <p>I3= Interior Reflector 35° Beam Angle*</p> <p>I4= Interior Reflector 45° Beam Angle*</p> <p>I6= Interior Reflector 65° Beam Angle*</p> <p>(*)= DL005, DL007, DL010 only</p>
<p>5 Voltage / Frequency</p> <p>UN= Universal 120 to 277VAC 50/60Hz (Voltage includes 208V, 220V, 240V etc.)</p> <p>UN2= Universal 347/480VAC 50/60Hz (Not available for DL017 and DL020)</p>	
<p>6 LED Driver Housing Style</p> <p>0= Standard Housing</p> <p>S= Standard Housing with stainless-steel insert</p>	
<p>7 Optical Assembly</p> <p>TG= Thermal Shock-Resistant Glass Globe</p> <p>R1= Type I Glass Refractor Globe</p> <p>R3= Type III Glass Refractor Globe</p> <p>R5= Type V Glass Refractor Globe</p>	
<p>8 Guard Option</p> <p>Blank= No Guard</p> <p>C= Cast Aluminum Guard</p> <p>L= Polymeric Guard</p>	

Dimensions – Standard Housing with Globe and Guard



Hazlux® LED - DL Series

Safety Technology

Mounting Options



CAT. NO.	DESCRIPTION	CONDUIT HUB SIZE
VA2	Cone-Top Pendant	3/4"
VA3		1"
VC2	Ceiling Mount	3/4"
VC3		1"
VB2-VIB	Wall Mount	3/4"
VB3-VIB		1"
VS4-VIB	25° Angle Stanchion	1-1/4"
VS5-VIB		1-1/2"
VL4-VIB	Straight Stanchion	1-1/4"
VL5-VIB		1-1/2"
HV1	HazVertor™ Adapter Ring Class I Div. 2, Zone II	N/A
HV2	HazVertor™ Adapter Ring Class I Div. 2, Zone 2 Class II	N/A

Globes or Refractors



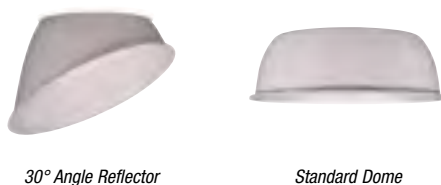
CAT. NO.	DESCRIPTION
VGT15	Heat-Resistant Prismatic Glass Globe
VGL15R1	IES Type I Refractor Globe
VGL15R3	IES Type III Refractor Globe
VGL15R5	IES Type V Refractor Globe

Guards



CAT. NO.	DESCRIPTION
VGU22P	Polymeric Guard for VGT22 Series Globe
VGU22	Cast Guard for VGT22 Series Globe

Reflectors or Exit Sign



CAT. NO.	DESCRIPTION
VR15P	Standard Dome, Fiberglass-Reinforced Polyester
VRA15P	Angular Dome, Fiberglass-Reinforced Polyester

Note: Reflectors are shipped bulk.

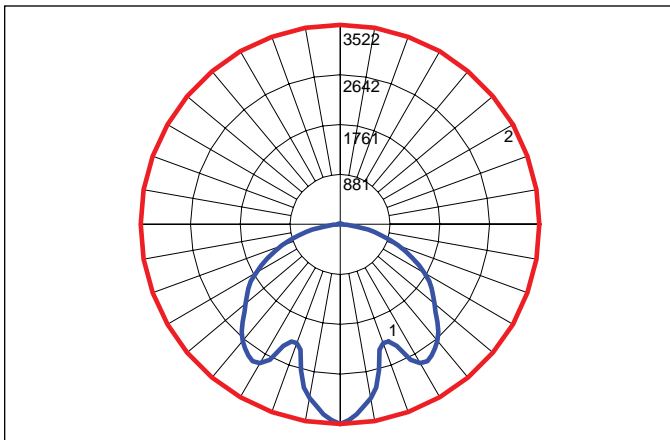
Hazlux® LED - DL Series

Safety Technology

Photometry - Standard Ballast Housing with Globe and Guard

(Description) Ceiling Mount	
Reference Date	
Catalogue No.	DL010EUN0TG
CCT	5,000°K
Lumen Output	10,123
Input Watt	88,19
Luminaire Efficacy	115
Spacing Criterion (0-180)	1,24
Spacing Criterion (90-270)	1,24
Spacing Criterion (Diagonale)	1,40

Polar Graph



Zonal Lumen Summary

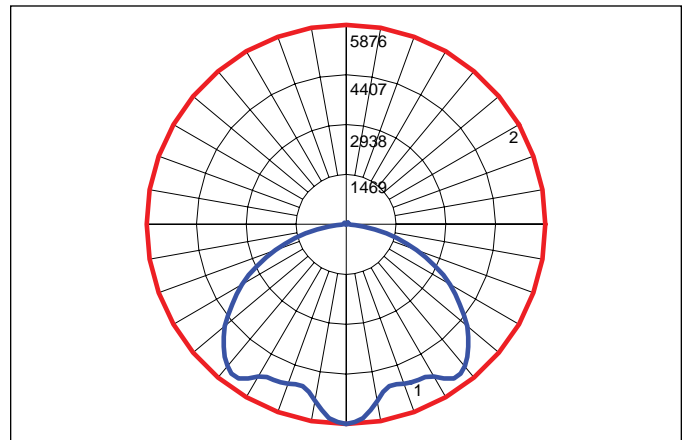
Zone	Lumens	%Lamp	%Fixt
0-20	1049.92	N.A.	10.40
0-30	2197.24	N.A.	21.70
0-40	3954.2	N.A.	39.10
0-60	7590.97	N.A.	75.00
0-80	9804.12	N.A.	96.80
0-90	10000.15	N.A.	98.80
10-90	9687.33	N.A.	95.70
20-40	2904.27	N.A.	28.70
20-50	4781.44	N.A.	47.20
40-70	5032.38	N.A.	49.70
60-80	2213.15	N.A.	21.90
70-80	817.54	N.A.	8.10
80-90	196.03	N.A.	1.90
90-110	57.70	N.A.	0.60
90-120	81.30	N.A.	0.80
90-130	101.93	N.A.	1.00
90-150	122.68	N.A.	1.20
90-180	122.87	N.A.	1.20
110-180	65.17	N.A.	0.60
0-180	10123.03	N.A.	100.00

Note: Total Luminaire Efficiency= N.A. %

Photometry - Standard Ballast Housing with Globe and Guard

(Description) Ceiling Mount	
Reference Date	
Catalogue No.	DL020EUN0TG
CCT	5,000°K
Lumen Output	20,476
Input Watt	166,1
Luminaire Efficacy	123
Spacing Criterion (0-180)	1,46
Spacing Criterion (90-270)	1,46
Spacing Criterion (Diagonale)	1,58

Polar Graph



Zonal Lumen Summary

Zone	Lumens	%Lamp	%Fixt
0-20	1948.86	N.A.	9.5
0-30	4291.06	N.A.	21.00
0-40	7711.42	N.A.	37.70
0-60	15307.63	N.A.	74.80
0-80	19801.85	N.A.	96.70
0-90	20185.52	N.A.	98.60
10-90	19653.86	N.A.	96.00
20-40	5762.56	N.A.	28.10
20-50	9692.19	N.A.	47.30
40-70	10452.67	N.A.	51.00
60-80	4494.22	N.A.	21.90
70-80	1637.77	N.A.	8.00
80-90	383.67	N.A.	1.90
90-110	112.09	N.A.	0.50
90-120	167.29	N.A.	0.80
90-130	225.15	N.A.	1.10
90-150	290.07	N.A.	1.40
90-180	290.53	N.A.	1.40
110-180	178.44	N.A.	0.90
0-180	20476.05	N.A.	100.00

Note: Total Luminaire Efficiency= N.A. %