

LS Series Circular LED High Bay



Structure Diagram



Applications

Widely used in Factories, Workshops, Warehouses, Logistics Centers, Exhibition Halls, Gymnasium, Shipyards, Mining, Gas Station, Supermarket, Ect.



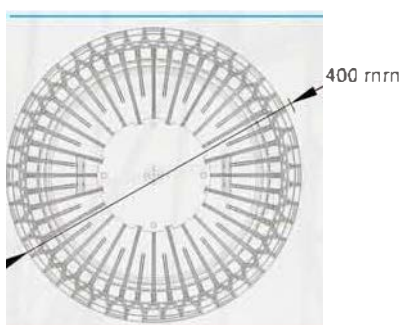
Features and Lumen Output

1. Lumens > 130lm/W
2. DLC 3.0
3. MEAN WELL Driver

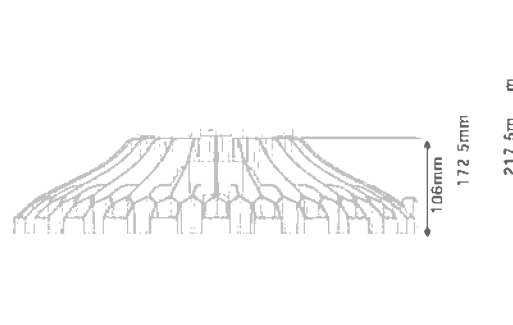


DLC Mode:		LS-HBN120W	LS-HBN150W		
Power:	100W	120W	150W	200W	240W
Lumens:	130lm/w				
Color Range:	4000K/5000K				
Housing:	AL and Glass				
Operation Temp.:	-20°C to 45°C				
Life Span:	50,000hours duty cycle				
Voltage range:	AC100-277V				
Frequency:	50/60Hz				
Reflector angle:	120°				
Color index(CRI):	> 75				
PF:	≥0.95				
Power Efficiency:	≥90%				
Warranty:	5 Years				

Width

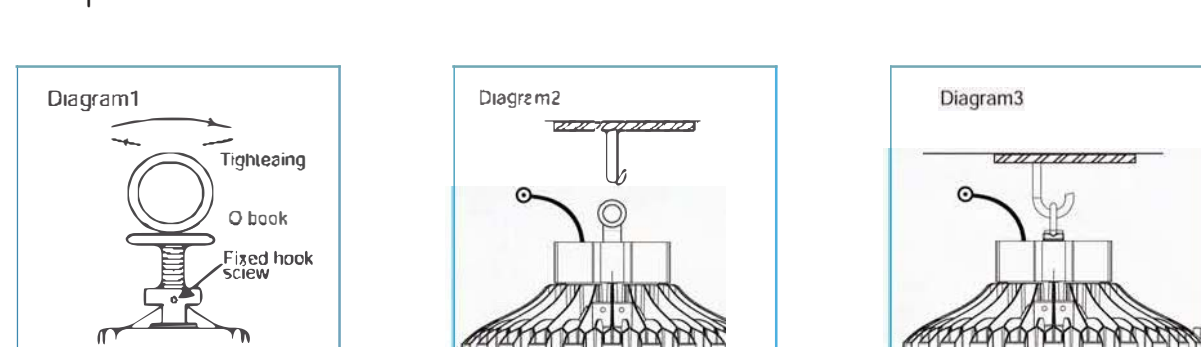


Height

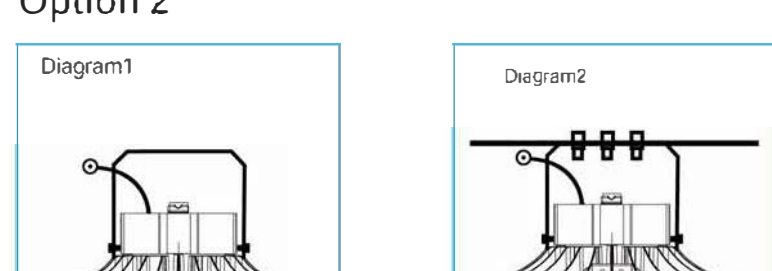


Installation

Option 1



Option 2



Model	N.W(kg)	G.W(kg)	Package Size(mm)
LS-HBN100W LS-H	6.5	7	45*45*23cm
HBN120/150W	7	7.5	
LS-HBN200/240W	7	7.5	46*46*23cm