

General Description:

The NebuLite Nebula Area Light is the most complete LED solution for high pole parking lot lighting and car dealership lighting. Its beautiful low profile appearance satisfies the most demanding architects.

Construction:

- Stylish low profile body that minimizes wind load and retains aesthetic pleasing appearance.
- Corrosion resistant polyester powder coat finish, available in custom colors
- Independent driver compartment separated from light engine that optimizing driver lifespan.
- Cast aluminum structure that resists high shock and vibration

Mounting:

- Multiple mounting options are available providing a solution for most outdoor applications like area, roadway, wall mount, flood, building accent and billboard lighting.

Electrical:

- High Power Factor, low THD UL listed driver with 10KV surge protection.
- Universal line voltage input 120-277V, 347/480V optional
- FCC compliant
- 0-10V dimmable

Optical:

- IES Type II, Type III, Type IV and Type V distribution patterns
- Optics are interchangeable and easily replaceable
- Optional house side shield/visor
- Full range CCT from 3000K to 5000K

Controls:

- NEMA twist lock photocontrol and receptacle
- Bi-Level occupancy sensor with wireless App control
- Luminaire wireless interlinking

Warranty:

- 5 years warranty for complete fixture

Listings:

ETL
FCC
DLC
RoHs
IP65



Ordering Information:

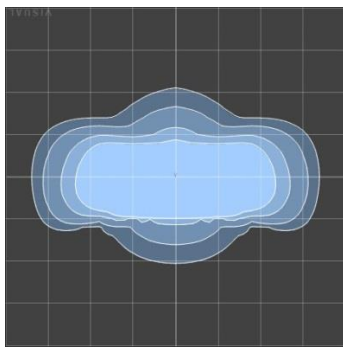
Family	Wattage	CCT	Optic	Color	Control	Mounting
NBAL = Nebula Area Light	200W=200W	50K=5000K	(omit)=Type III, Std	(omit)=Bronze, Std	(omit)=none	ARM1=Arm mount square pole
	300W=300W	45K=4500K	T2=Type II	BL=Black	OCC=Occupancy Sensor	ARM2=Arm mount round pole
		40K=4000K	T4=Type IV	SL=Silver	PCN=NEMA Photocell	SF=Slipfitter
		35K=3500K	T5=Type V	GR=Gray		WM=Wall Mount
		30K=3000K		WH=White		TB= Truneon Bracket



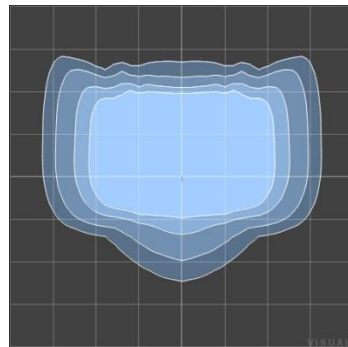
Specs:

Family Model	Lumens	Wattage	lm/W	CCT	CRI	PF	THD	Size	Weight	L70
NBAL-200W	21,000lm	200W	105lm/W	3000K-5000K	75+	>0.9	<15%	23"x13 1/2"x2 3/8"	24lb	>100,000h
NBAL-300W	31,500lm	300W	105lm/W	3000K-5000K	75+	>0.9	<15%	23"x13 1/2"x 2 3/8"	24lb	>100,000h

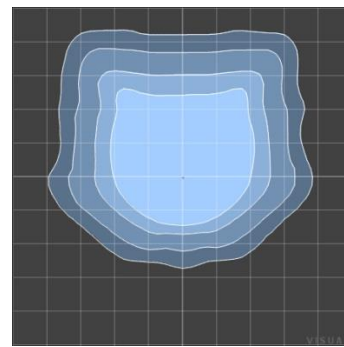
Photometrics:



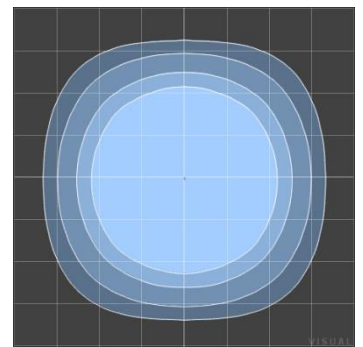
Type II



Type III



Type IV



Type V

Mounting Options:



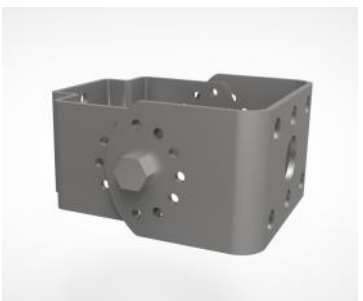
Slipfitter



Arm Mount



Wall Mount



Truneon Bracket

MOUNTING CONFIGURATION

