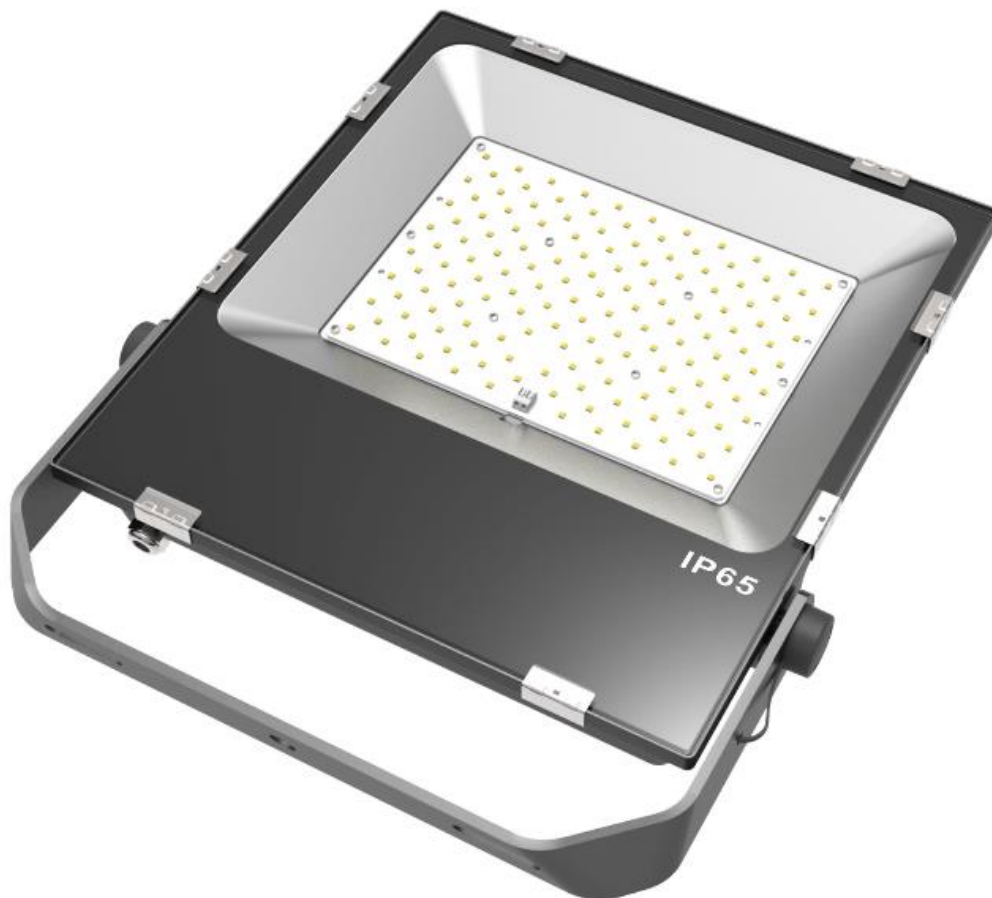




MAES LIGHTING

MIC FLOOD LIGHT 200W

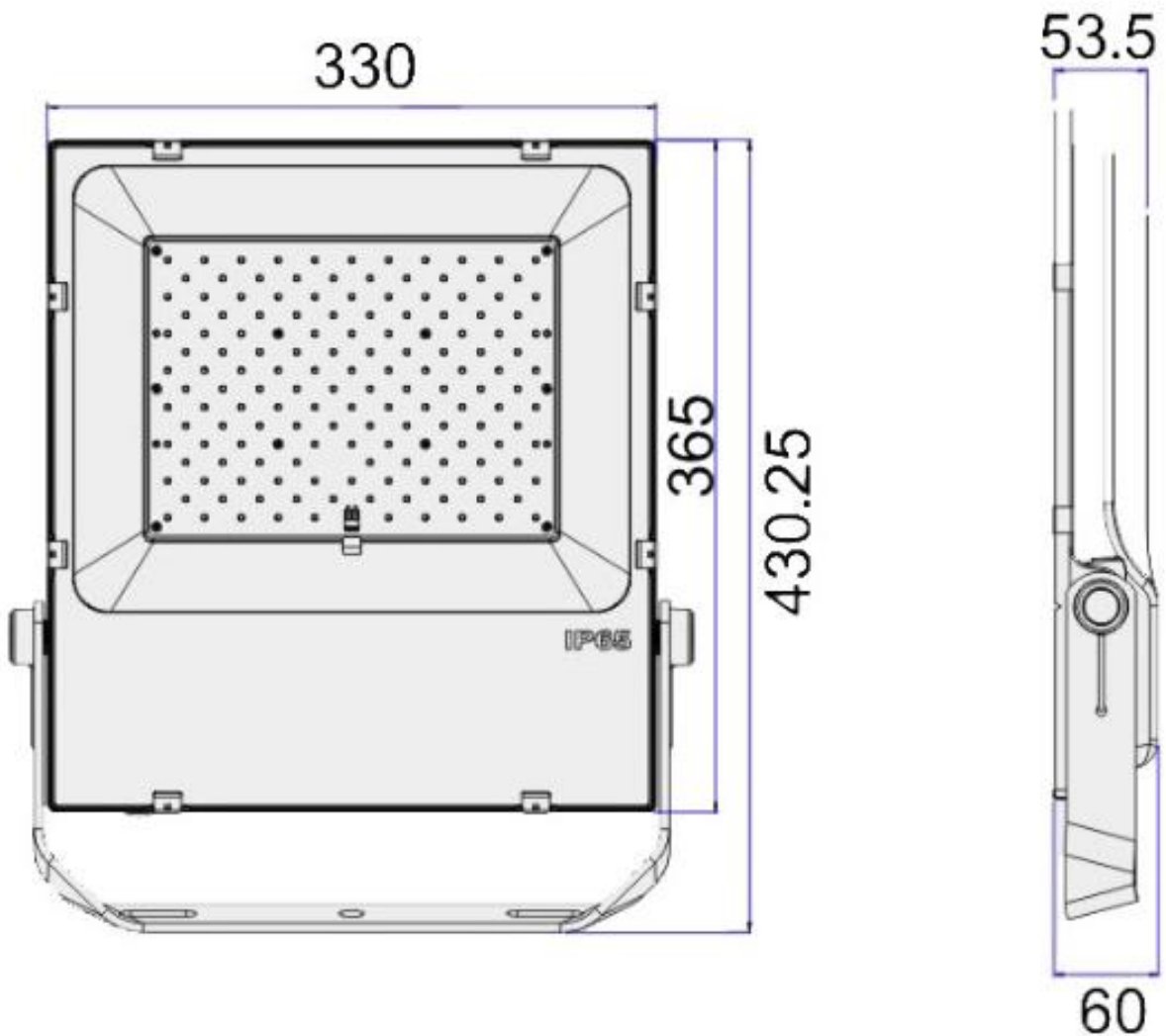


Specification

Model NO.	MFL-200
Power	200w
Light source	Nichia 3030 LEDs
LED QTY	240 pcs
LED Lumen	140~160lm/w
Lamp lumen efficiency	>130lm/W
Lamp Lumens	>26,000lm
Power Efficiency	>92%
PF	>0.95
CRI	Ra>80
CCT	Warm white 3000K/ Nature white 4000k/ Cool white 6000k
Input voltage	AC85-277V/ 347V/480V
Replace HPS	400w
IP Rating	IP 65
Dimensions	330*431*53.5mm
N.W/G.W	7.8kg/8.2kg
Packing	1 piece per carton
MOQ	10 pcs
LED lamp life	50,000 hrs
Warranty	5 years

Small size, light weight, saves shipping cost!

Ultra-slim sleek design 60mm





Wide range of wattage

50 watt to 200 watt Available - High Lumen 130 L Watt

Streamline





FAST HEAT DISSIPATION



innovation, protection

INNOVATIVE G-BUCKLE TECH, PREVENT





Some features

Waterproof IP67 led floodlight

By using waterproof connector and silicon rubber sealing, up to IP67, meeting the requirements for harsh, tough environment.

Buckle FIN patented design

Equally spaced fin fastening system is screw free. Firmly holds the lens in place. Combined with minimum weight for maximum heat dissipation area.

Glass panel

4mm tempered glass panel, safely protect the light source, and the light transmittance rate is up to 93%.

Patented design

Fin assembly and cooling plate tightly fixed to minimize thermal resistance without plating, aesthetics and environmental protection.